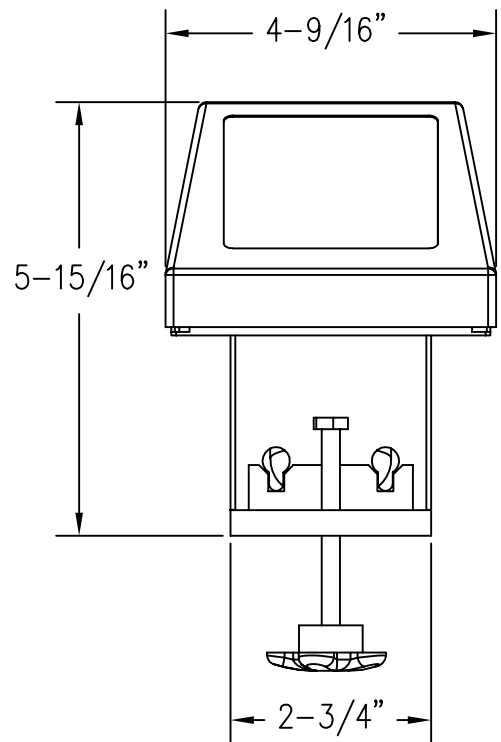
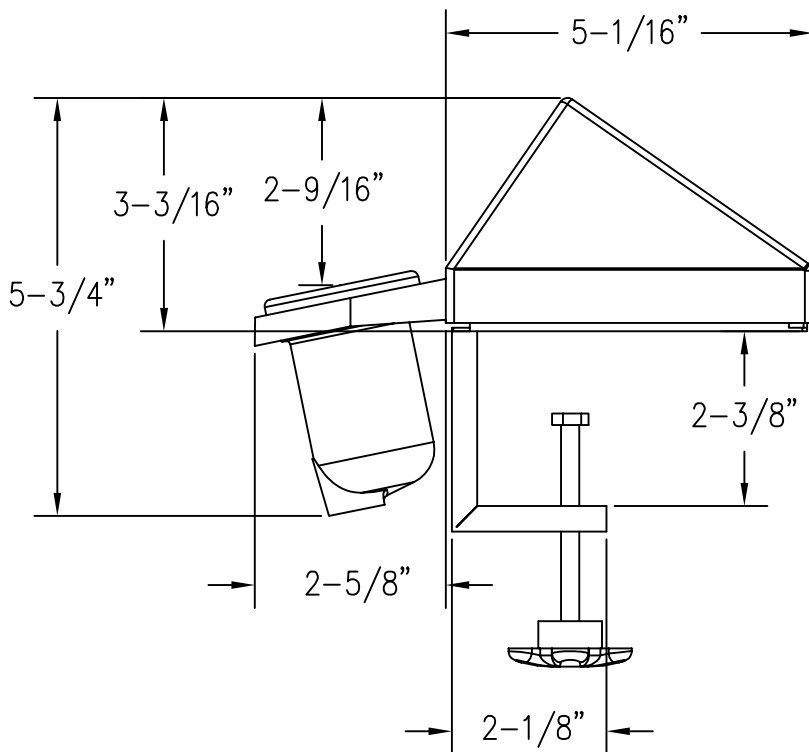
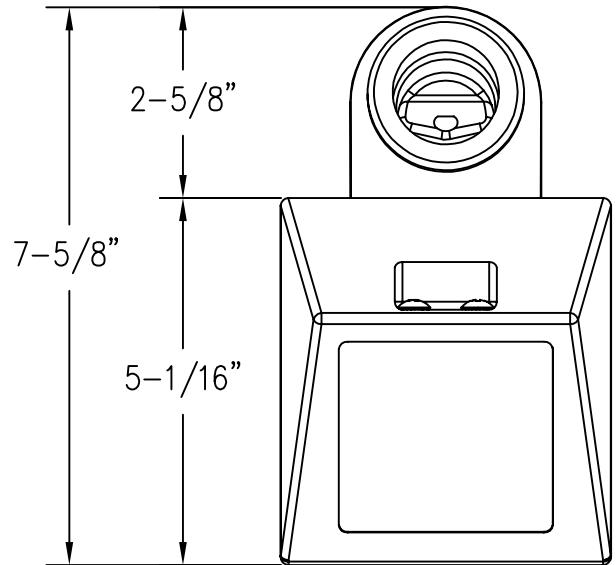
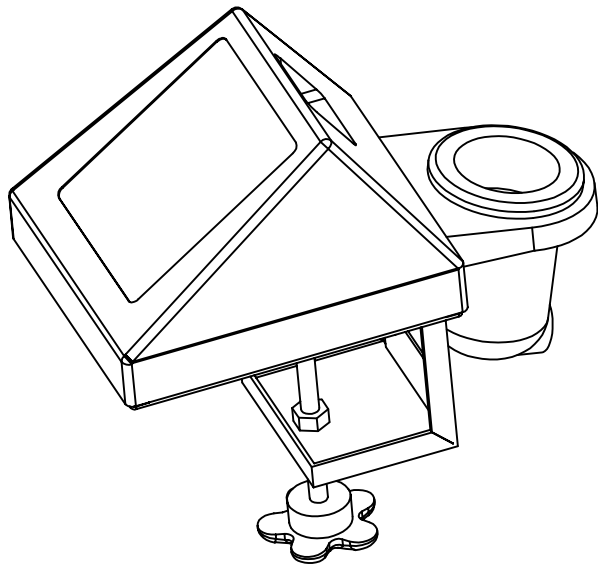


MODEL: PM-SA-23WB
LIGHTED HOSE HANGER MERCHANDISER

JOB:

ITEM#:



Z:\05\0550069.DWG / 3-22-2007

Wunder - Bar

Dispensing Systems

AUTOMATIC BAR CONTROLS, INC.
790 EUBANKS DRIVE
VACAVILLE, CA 95688

PHONE: (707) 448-5151
FAX : (707) 448-1521