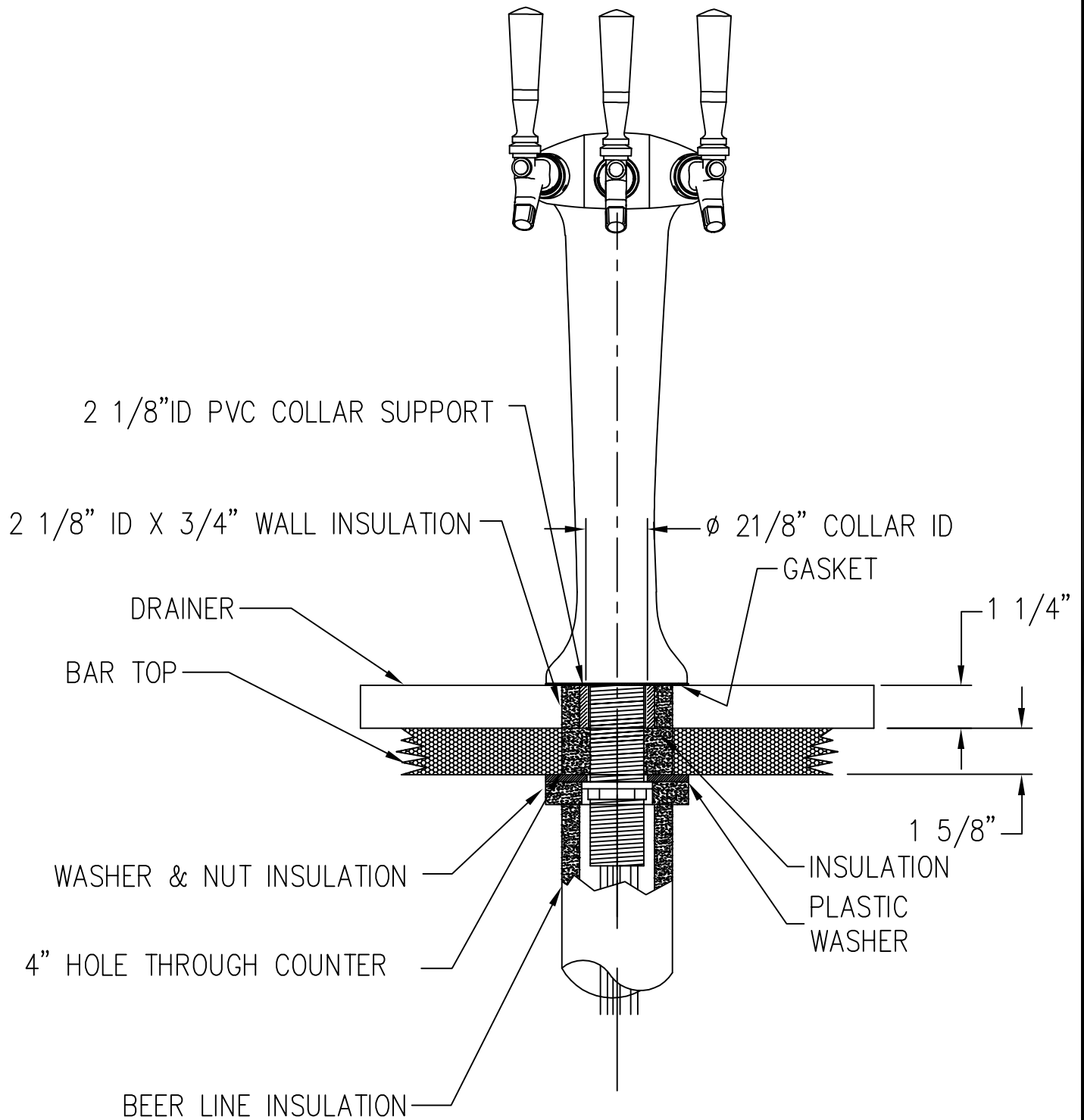


MODEL: VIPER TOWER & DRAINER
 INSTALLATION CROSSECTION

JOB:

ITEM#:



Wunder - Bar

Dispensing Systems

AUTOMATIC BAR CONTROLS, INC.
 790 EUBANKS DRIVE
 VACAVILLE, CA 95688

PHONE: (707) 448-5151
 FAX : (707) 448-1521