

**MODEL:** WB-SCD-2-3-TT  
**CONDIMENT SYSTEM:** 2 STATION WITH THREE  
**PRODUCT T-TOWERS**

**JOB:**

**ITEM#:**



**PRODUCT RACK SPECIFICATIONS:**

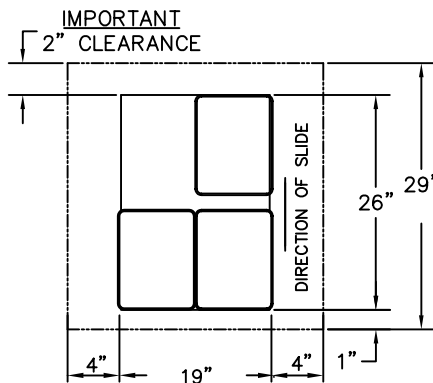
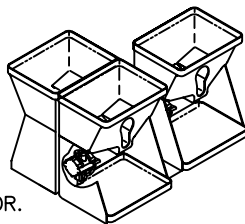
**CONSTRUCTION:** FORMED ACRYLONITRILE BUTADIENE  
 STYRENE (A.B.S.) 100# CAPACITY  
 EXTRA-HEAVY-DUTY TRAY SLIDES.

**CAPACITY:** THREE, THREE-GALLON CONDIMENT  
 BAGS, SIX CONDIMENT PUMPS,  
 SIX 100 PSI LOW PRESSURE REGULATOR.

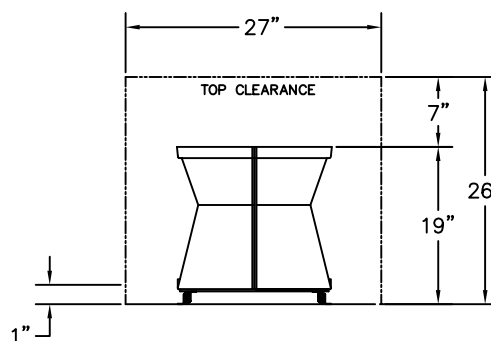
**DIMENSIONS:** 19" WIDE X 26" DEEP X 19" HIGH.

**INSTALLATION:** MINIMUM CABINET REQUIREMENTS  
 29" DEEP X 27" WIDE X 26" HIGH.

**WEIGHT:** 60# (EMPTY)



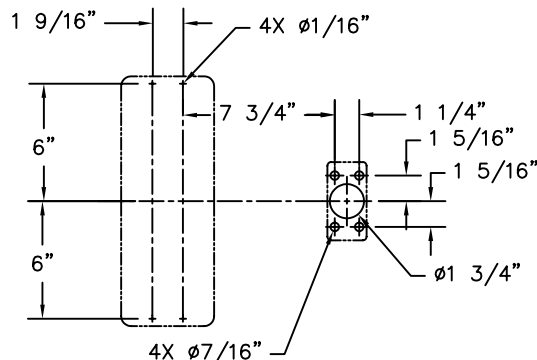
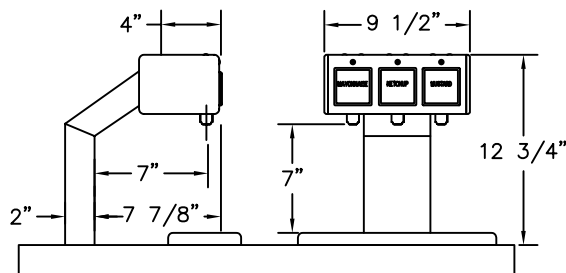
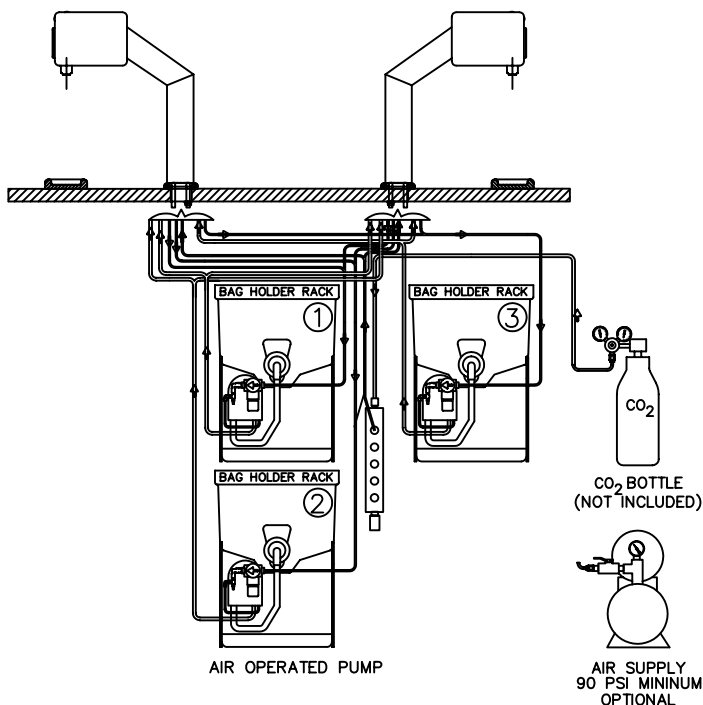
**CABINET TOP VIEW**



**CABINET FRONT VIEW**

**SYSTEM FEATURES:**

- FULLY FACTORY ASSEMBLED AND WET-CHECKED NON-PORTION CONTROL CONDIMENT T-TOWER SIMPLE CONNECTION OF SYSTEM TO TOWER DISPENSER TO COMPLETE FINIAL INSTALLATION.
- BUILT-IN CONDIMENT SPILL CONTAINMENT RIM AROUND RACK BASES.
- RACK FULLY EXTENDS FOR EASY RE-LOADING OF BAGS.
- 8' OF 1/4" I.D. PRODUCT TUBING PROVIDED FOR KETCHUP, MUSTARD OR SAUCE. 8' OF 3/8" ID PRODUCT TUBING PROVIDED FOR MAYONNAISE. PLEASE SPECIFY PRODUCTS WHEN ORDERING.
- TWO, THREE-PRODUCT T-TOWER CONDIMENT DISPENSER. ALL MOUNTING HARDWARE INCLUDED.
- BRUSH FINISH STAINLESS STEEL TOWER.



**T-TOWER & MOUNTING DETAIL**

Z:\05\0150201A.DWG / 02-13-04

**Wunder - Bar** Dispensing Systems

**AUTOMATIC BAR CONTROLS, INC.**  
 790 EUBANKS DRIVE  
 VACAVILLE, CA 95688

**PHONE:** (707) 448-5151  
**FAX :** (707) 448-1521