

MODEL: WB-SCD-2-2-TT
CONDIMENT SYSTEM: 2 STATION WITH TWO
PRODUCT T-TOWERS

JOB:

ITEM#:



PRODUCT RACK SPECIFICATIONS:

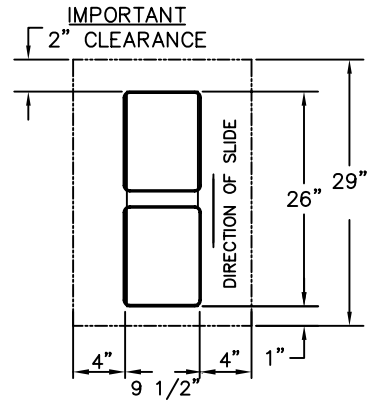
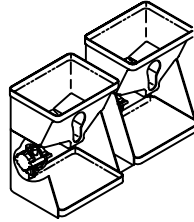
CONSTRUCTION: FORMED ACRYLONITRILE BUTADIENE STYRENE (A.B.S.) 100# CAPACITY EXTRA-HEAVY-DUTY TRAY SLIDES.

CAPACITY: TWO, THREE-GALLON CONDIMENT BAGS, THREE CONDIMENT PUMPS, TWO 100 PSI LOW PRESSURE REGULATORS.

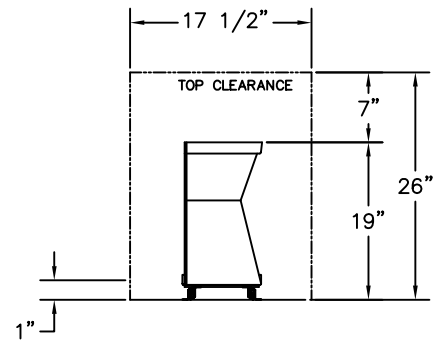
DIMENSIONS: 9 1/2" WIDE X 26" DEEP X 19" HIGH.

INSTALLATION: MINIMUM CABINET REQUIREMENTS 29" DEEP X 17 1/2" WIDE X 26" HIGH.

WEIGHT: 50# (EMPTY)



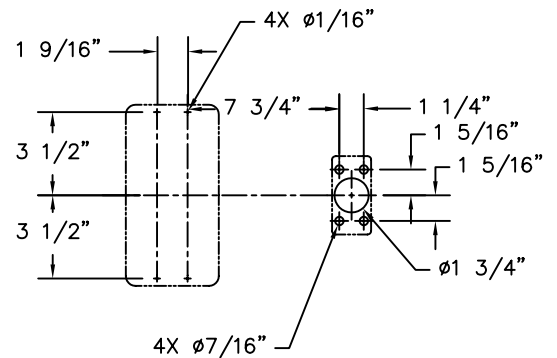
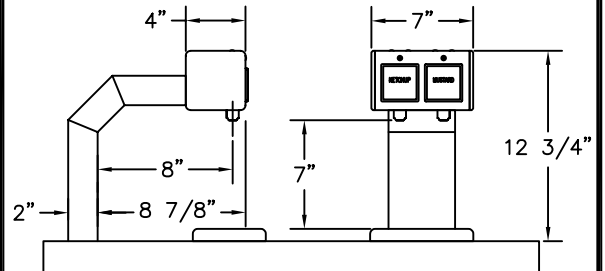
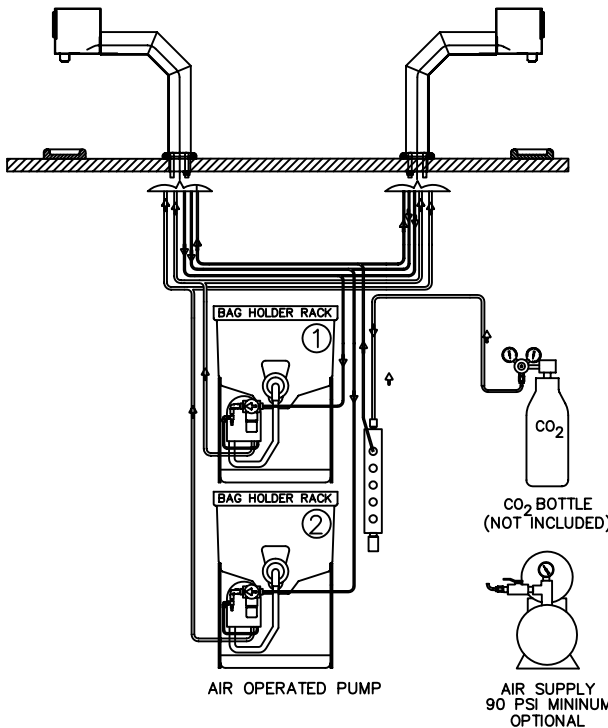
CABINET TOP VIEW



CABINET FRONT VIEW

SYSTEM FEATURES:

- FULLY FACTORY ASSEMBLED AND WET-CHECKED NON-PORION CONTROL CONDIMENT T-TOWER SIMPLE CONNECTION OF SYSTEM TO TOWER DISPENSER TO COMPLETE FINIAL INSTALLATION.
- BUILT-IN CONDIMENT SPILL CONTAINMENT RIM AROUND RACK BASES.
- RACK FULLY EXTENDS FOR EASY RE-LOADING OF BAGS.
- 8' OF 1/4" I.D. PRODUCT TUBING PROVIDED FOR KETCHUP, MUSTARD OR SAUCE. 8' OF 3/8" ID PRODUCT TUBING PROVIDED FOR MAYONNAISE. PLEASE SPECIFY PRODUCTS WHEN ORDERING.
- TWO, TWO-PRODUCT T-TOWER CONDIMENT DISPENSER. ALL MOUNTING HARDWARE INCLUDED.
- BRUSHED STAINLESS STEEL TOWER



T-TOWER & MOUNTING DETAIL

Z:\01\0150137B.DWG / 12-22-04

Wunder - Bar

Dispensing Systems

AUTOMATIC BAR CONTROLS, INC.
790 EUBANKS DRIVE
VACAVILLE, CA 95688

PHONE: (707) 448-5151
FAX : (707) 448-1521