

MODEL: WB-SCD-1-4-TT
CONDIMENT SYSTEM: 1 STATION WITH FOUR
PRODUCT T-TOWER

JOB:

ITEM#:



PRODUCT RACK SPECIFICATIONS:

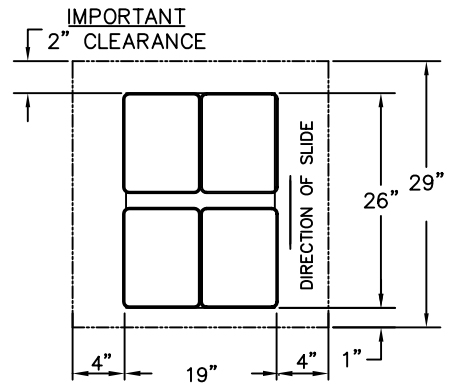
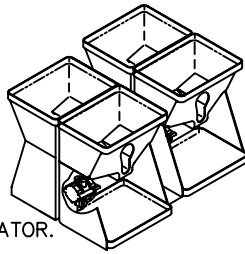
CONSTRUCTION: FORMED ACRYLONITRILE BUTADIENE STYRENE (A.B.S.) 100# CAPACITY EXTRA-HEAVY-DUTY TRAY SLIDES.

CAPACITY: FOUR, THREE-GALLON CONDIMENT BAGS, FOUR CONDIMENT PUMPS, FOUR 100 PSI LOW PRESSURE REGULATOR.

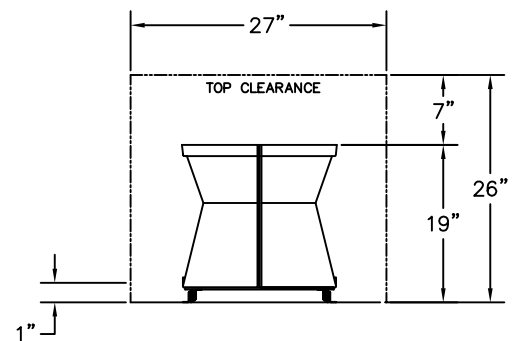
DIMENSIONS: 19" WIDE X 26" DEEP X 19" HIGH.

INSTALLATION: MINIMUM CABINET REQUIREMENTS 29" DEEP X 27" WIDE X 26" HIGH.

WEIGHT: 65# (EMPTY)



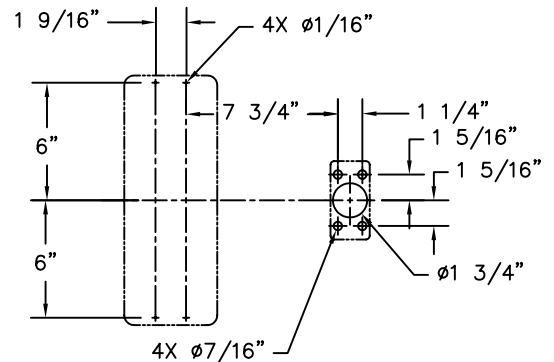
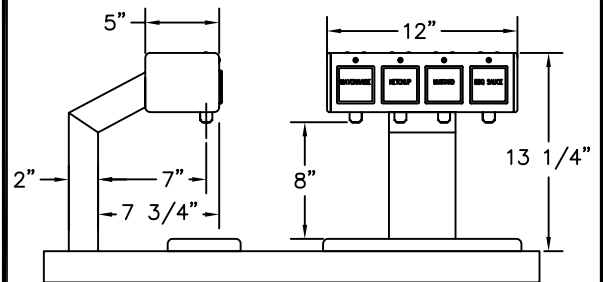
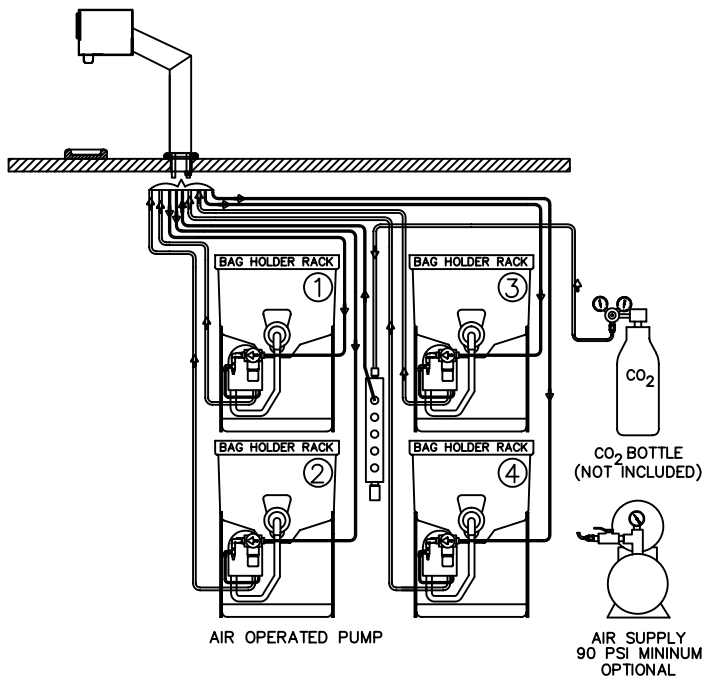
CABINET TOP VIEW



CABINET FRONT VIEW

SYSTEM FEATURES:

- FULLY FACTORY ASSEMBLED AND WET-CHECKED NON-PORTION CONTROL CONDIMENT T-TOWER SIMPLE CONNECTION OF SYSTEM TO TOWER DISPENSER TO COMPLETE FINIAL INSTALLATION.
- BUILT-IN CONDIMENT SPILL CONTAINMENT RIM AROUND RACK BASES.
- RACK FULLY EXTENDS FOR EASY RE-LOADING OF BAGS.
- 8' OF 1/4" I.D. PRODUCT TUBING PROVIDED FOR KETCHUP, MUSTARD OR SAUCE. 8' OF 3/8" ID PRODUCT TUBING PROVIDED FOR MAYONNAISE. PLEASE SPECIFY PRODUCTS WHEN ORDERING.
- ONE, FOUR-PRODUCT T-TOWER CONDIMENT DISPENSER. ALL MOUNTING HARDWARE INCLUDED.
- BRUSHED STAINLESS STEEL TOWER



T-TOWER & MOUNTING DETAIL

Z:\01\0150091C.DWG / 12-22-04

Wunder - Bar Dispensing Systems

AUTOMATIC BAR CONTROLS, INC.
 790 EUBANKS DRIVE
 VACAVILLE, CA 95688

PHONE: (707) 448-5151
FAX : (707) 448-1521