

MODEL: WB-SCD-1-2-TT

CONDIMENT SYSTEM: 1 STATION WITH TWO PRODUCT T-TOWER WITH OPTIONAL BACK TO BACK BAG HOLDER

JOB:

ITEM#:



**PRODUCT RACK SPECIFICATIONS:**

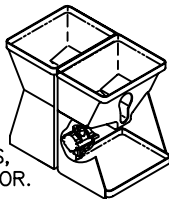
**CONSTRUCTION:** FORMED ACRYLONITRILE BUTADIENE STYRENE (A.B.S.) 100# CAPACITY EXTRA-HEAVY-DUTY TRAY SLIDES.

**CAPACITY:** TWO, TWO-GALLON CONDIMENT BAG HOLDERS, TWO CONDIMENT PUMPS, TWO 100 PSI LOW PRESSURE REGULATOR.

**DIMENSIONS:** 19" WIDE X 12" DEEP X 19" HIGH.

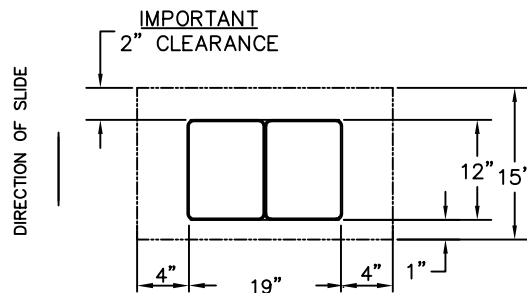
**INSTALLATION:** MINIMUM CABINET REQUIREMENTS 15" DEEP X 27" WIDE X 26" HIGH.

**WEIGHT:** 60# (EMPTY)

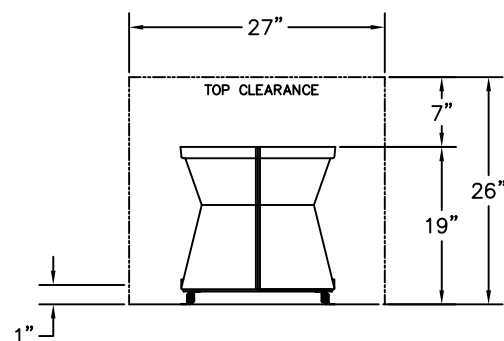


**SYSTEM FEATURES:**

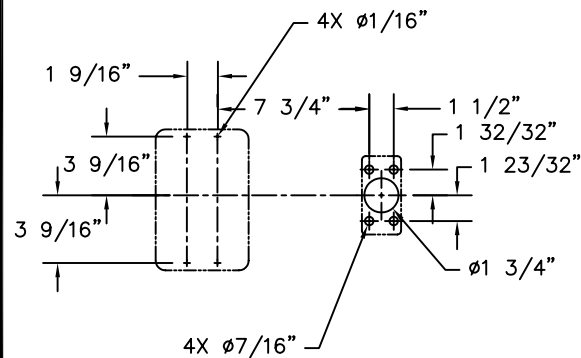
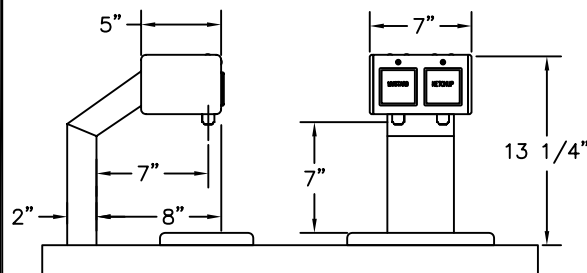
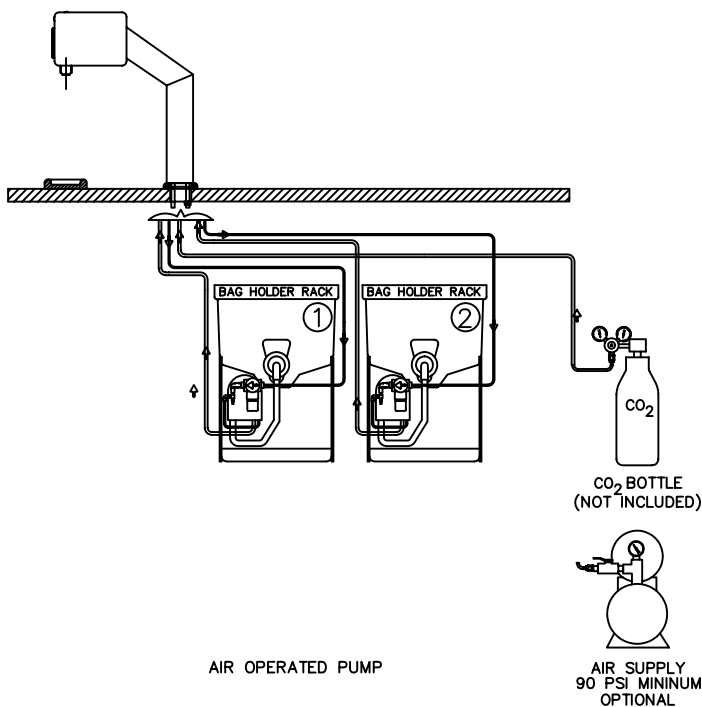
- FULLY FACTORY ASSEMBLED AND WET-CHECKED NON-PORTION CONTROL CONDIMENT T-TOWER SIMPLE CONNECTION OF SYSTEM TO TOWER DISPENSER TO COMPLETE FINIAL INSTALLATION.
- BUILT-IN CONDIMENT SPILL CONTAINMENT RIM AROUND RACK BASES.
- RACK FULLY EXTENDS FOR EASY RE-LOADING OF BAGS.
- 8' OF 1/4" I.D. PRODUCT TUBING PROVIDED FOR KETCHUP, MUSTARD OR SAUCE. 8' OF 3/8" ID PRODUCT TUBING PROVIDED FOR MAYONNAISE. PLEASE SPECIFY PRODUCTS WHEN ORDERING.
- ONE, TWO-PRODUCT T-TOWER CONDIMENT DISPENSER. ALL MOUNTING HARDWARE INCLUDED.
- BRUSHED FINISH STAINLESS STEEL TOWER.



**CABINET TOP VIEW**



**CABINET FRONT VIEW**



**T-TOWER & MOUNTING DETAIL**

Z:\01\0150152A.DWG / 2-13-04

*Wunder - Bar*

*Dispensing Systems*

AUTOMATIC BAR CONTROLS, INC.  
790 EUBANKS DRIVE  
VACAVILLE, CA 95688

PHONE: (707) 448-5151  
FAX : (707) 448-1521