

MODEL: WB-SCDC-4-4-TT  
 72" CONDI-CART, MOBLE CONDIMENT CART  
 WITH FOUR, FOUR PRODUCT T-TOWERS

JOB:

ITEM#:



PRODUCT RACK SPECIFICATIONS:

CART: \* GRAINLINE, TYPE 304, STAINLESS STEEL THROUGHOUT.  
 ALL WELDED ASSEMBLY. 16 GA TOP, 20GA BODY AND DOORS,  
 CASTERS (2 RIGID, 2 SWIVEL WITH BRAKE'S),

CAPACITY: EIGHT, THREE-GALLON CONDIMENT  
 BAGS, SIXTEEN CONDIMENT PUMPS,  
 SIXTEEN 100# LOW PRESSURE REGULATOR.

DIMENSIONS: \* DIMENSIONS: 34" HIGH X 30" DEEP X 72" LONG

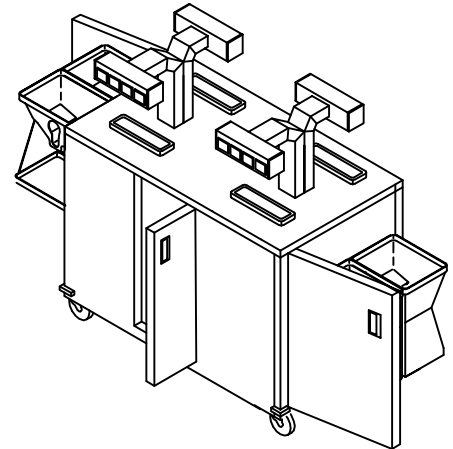
WEIGHT: WEIGHT , 300# MAXIMUM (EMPTY).

SYSTEM FEATURES:

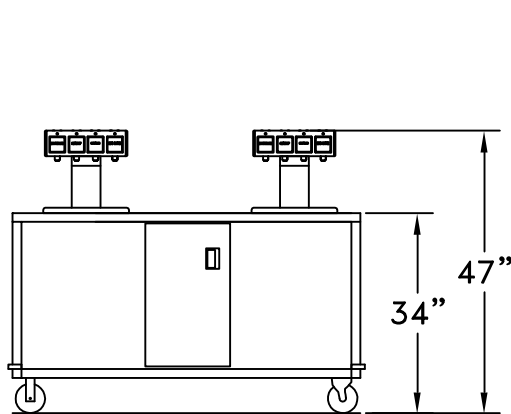
MEETS ALL APPLICABLE A.D.A. CRITERIA AT TIME OF MANUFACTURE.  
 FULLY FACTORY ASSEMBLED AND WET-CHECKED.  
 REMOVABLE DOORS WITH LOCKS.  
 FIVE-GALLON SANITIZER TANK WITH ADAPTER.  
 STAINLESS STEEL PUSH BAR.  
 PLEASE SPECIFY CONNECTOR TYPE WHEN ORDERING  
 SCHOLLE PROBE (HUNT WESSON), CPC-38MM ( HEINZ), OR  
 LIQUI BOX QCD-III (SALAD DRESSINGS AND SOME TOPPING)

OPTIONAL FEATURES:

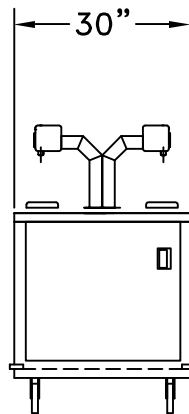
STAINLESS STEEL, FOLD DOWN, FRONT TRAY SIDE.  
 CUSTOM BODY AND DOOR LAMINATION



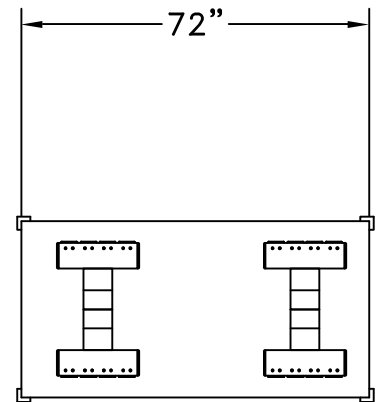
PERSPECTIVE VIEW



FRONT VIEW



END VIEW



TOP VIEW

Z:\01\0150163-62.DWG / 01-23-03

**Wunder - Bar**

*Dispensing Systems*

AUTOMATIC BAR CONTROLS, INC.  
 790 EUBANKS DRIVE  
 VACAVILLE, CA 95688

PHONE: (707) 448-5151  
 FAX : (707) 448-1521