

MODEL: WB-SCDC-1-4-TT
 48" CONDI-CART, MOBLE CONDIMENT CART
 WITH ONE, FOUR PRODUCT T-TOWER

JOB:

ITEM#:



PRODUCT RACK SPECIFICATIONS:

CART: * GRAINLINE, TYPE 304, STAINLESS STEEL THROUGHOUT.
 ALL WELDED ASSEMBLY. 16 GA TOP, 18 GA BODY AND DOORS,
 CASTERS (2 RIGID, 2 SWIVEL WITH BRAKE'S),

CAPACITY: FOUR, THREE-GALLON CONDIMENT BAG RACKS
 FOUR CONDIMENT PUMPS,
 FOUR 100# LOW PRESSURE REGULATOR.

DIMENSIONS: * DIMENSIONS: 34" HIGH X 30" DEEP X 48" LONG

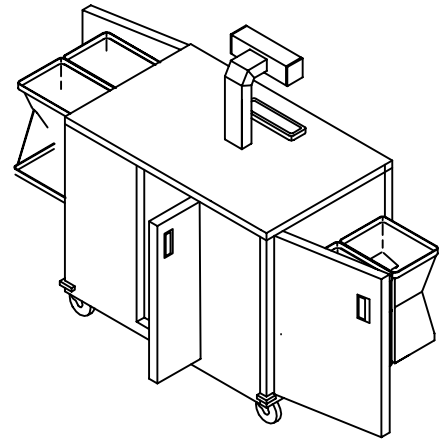
WEIGHT: WEIGHT , 300# MAXIMUM (EMPTY).

SYSTEM FEATURES:

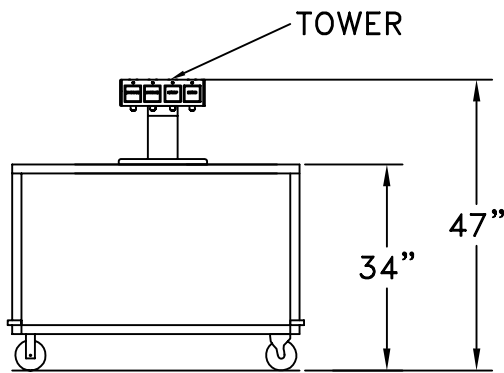
MEETS ALL APPLICABLE A.D.A. CRITERIA AAT TIME OF MANUFACTURE.
 FULLY FACTORY ASSEMBLED AND WET-CHECKED.
 REMOVABLE DOORS WITH LOCKS.
 CORNER BUMPERS
 1 SELF SERVE TOWERS: 4 CONDIMENTS.
 FIVE-GALLON SANITIZER TANK WITH ADAPTER.

OPTIONAL FEATURES:

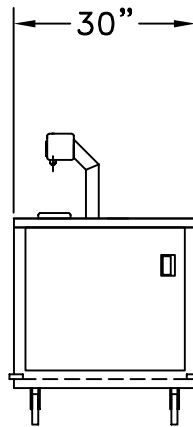
STEAMER PANS FOR PORTION PACKS
 NAPKIN LOWERATOR DISPENSERS
 SNEEZE GUARD



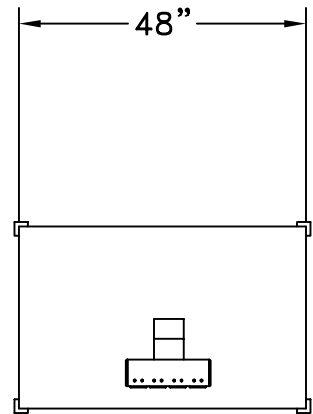
PERSPECTIVE VIEW



FRONT VIEW



END VIEW



TOP VIEW
 (LESS SNEEZE SHIELD)

0150272.DWG / 3-10-2009

Wunder - Bar

Dispensing Systems

AUTOMATIC BAR CONTROLS, INC.
 790 EUBANKS DRIVE
 VACAVILLE, CA 95688

PHONE: (707) 448-5151
 FAX : (707) 448-1521