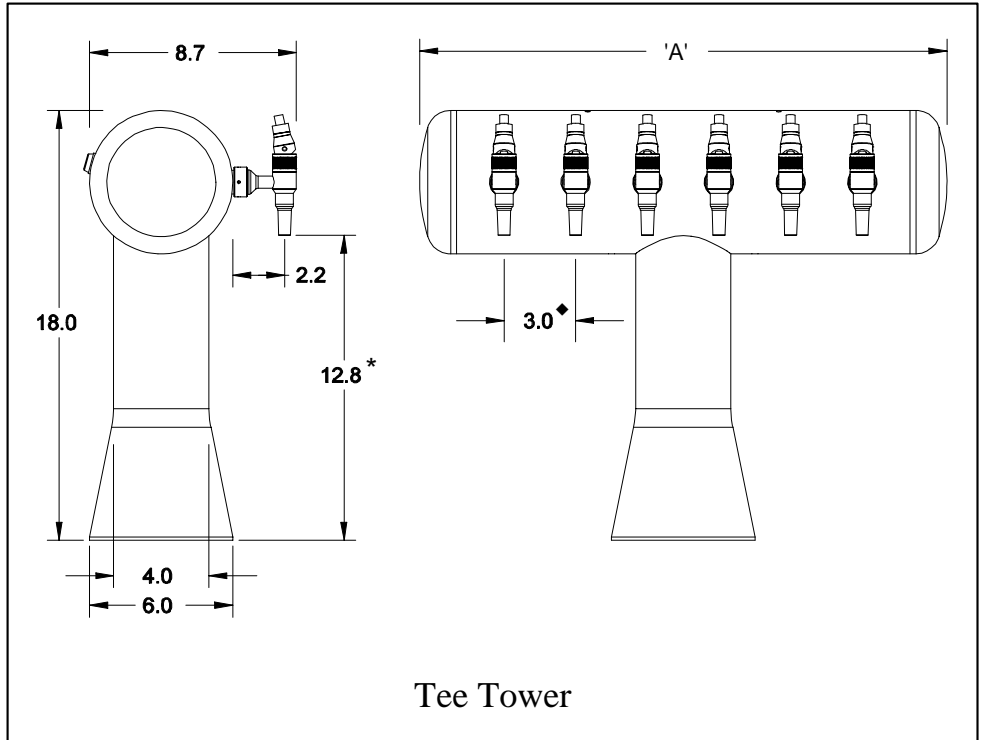
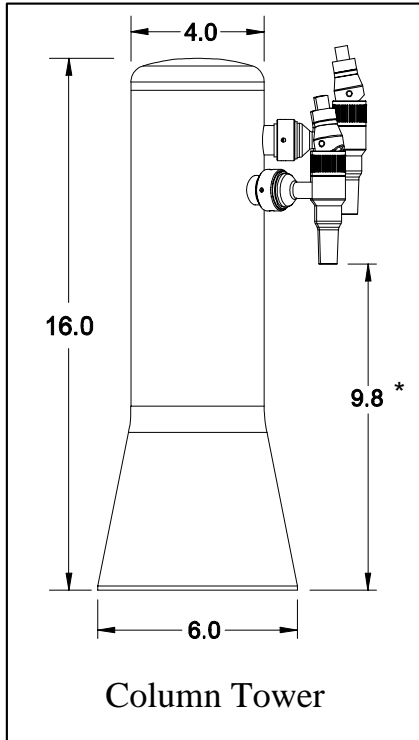


# Wunder-Bar Dispensing Systems



Part Number	No. of Faucets	Column Diameter	'A'	Recommended Drip Tray
<b>Column:</b>				
75-0104-00	1	4"	N/A	71-0009-00
75-0204-00	2	4"	N/A	71-0009-00
75-0304-00	3	4"	N/A	71-0009-00
<b>Tee:</b>				
76-0416-00	4	4"	15.75"	71-0015-00
76-0516-00	5	4"	18.75"	71-0021-00
76-0616-00	6	4"	21.75"	71-0021-00
76-0716-00	7	4"	24.75"	71-0027-00
76-0816-00	8	4"	28.25"	71-0027-00
76-1016-00	10	4"	34.25"	71-0033-00

- All dimensions shown are in inches.
- 'A' based on 3.0 inch faucet spacing.
- Dimensions are for reference only.

- \* Subtract 0.4 inches for stout faucet.
- ◆ Custom spacing and configurations available.

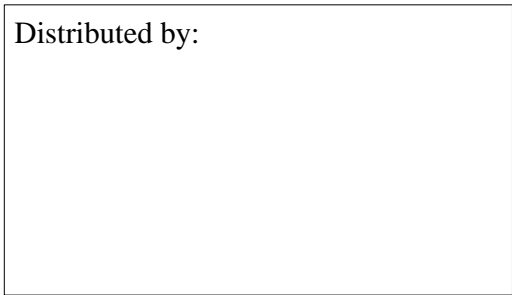
Towers are supplied with:

- larger faucets, handles not included (stout faucets are extra)
- mounting hardware
- mounting template



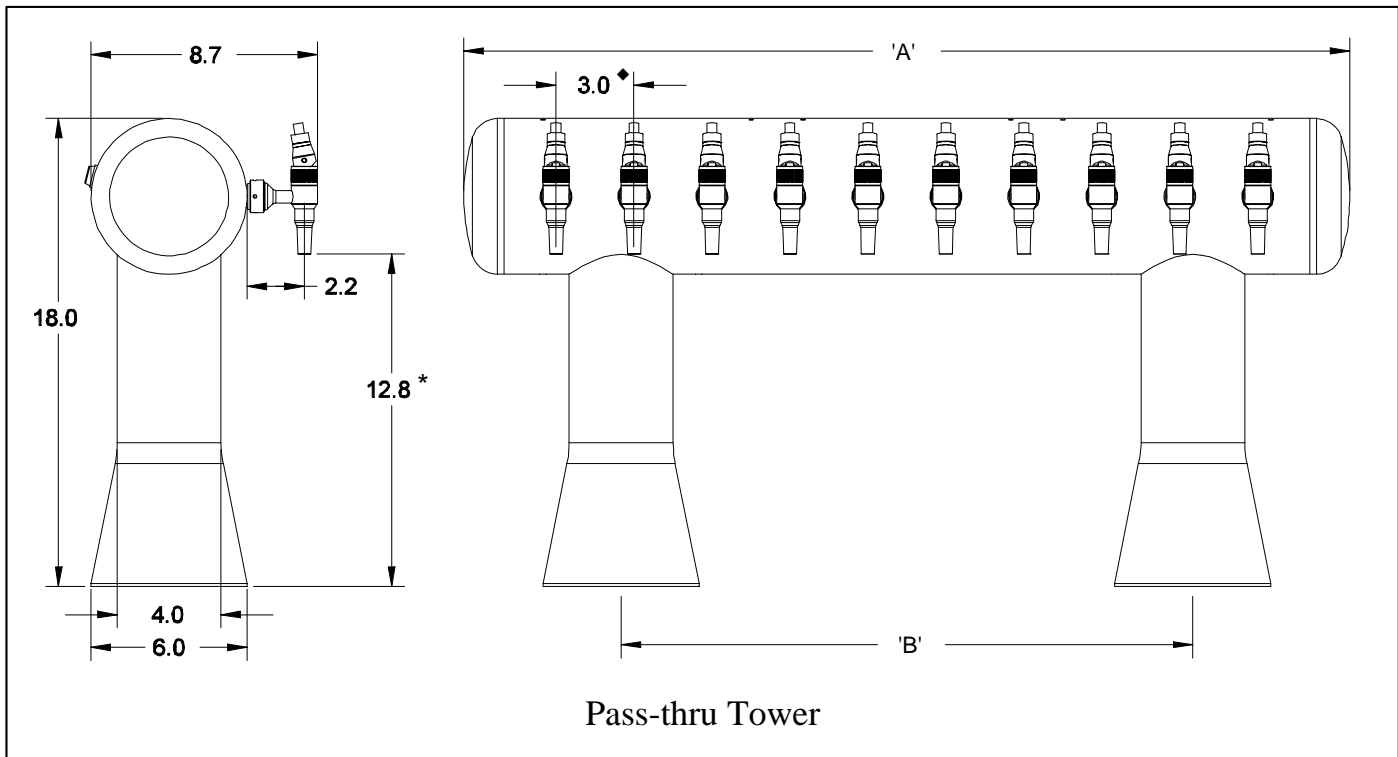
Stainless One Dispensing Systems  
 Manufactured by:  
 Automatic Bar Controls, Inc.  
 790 Eubanks Drive  
 Vacaville, California 95688  
 1-800-722-6738  
 (707) 448-5151  
 Facsimile (707) 448-1521  
 Email: sales@wunderbar.com

Distributed by:



Stainless One and the Stainless One logo are the trademarks of Automatic Bar Controls, Inc. The information in this document is subject to change without notice. Copyright 1997-2003, Automatic Bar Controls, Inc. / Wunder-Bar. All rights reserved.

# Wunder-Bar Dispensing Systems



Part Number	No. of Faucets	Column Diameter	'A'	'B'	Recommended Drip Tray
Pass-thru:					
77-1016-00	10	4"	34.25"	22"	71-0033-00
77-1216-00	12	4"	40.25"	22"	71-0039-00
77-1416-00	14	4"	46.25"	30"	71-0045-00

- All dimensions shown are in inches.
- 'A' based on 3.0 inch faucet spacing.
- Dimensions are for reference only.

- \* Subtract 0.4 inches for stout faucet.
- ◆ Custom spacing and configurations available.

Towers are supplied with:

- lager faucets, handles not included (stout faucets are extra)
- mounting hardware
- mounting template



Stainless One Dispensing Systems

*Manufactured by:*

Automatic Bar Controls, Inc.

790 Eubanks Drive

Vacaville, California 95688

1-800-722-6738

(707) 448-5151

Facsimile (707) 448-1521

Email: sales@wunderbar.com

Distributed by:

Stainless One and the Stainless One logo are the trademarks of Automatic Bar Controls, Inc.. The information in this document is subject to change without notice.

Copyright 1997-2003, Automatic Bar Controls, Inc. / Wunder-Bar. All rights reserved.