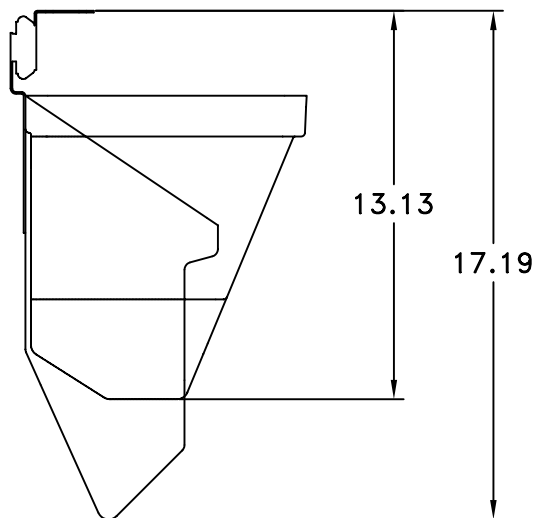
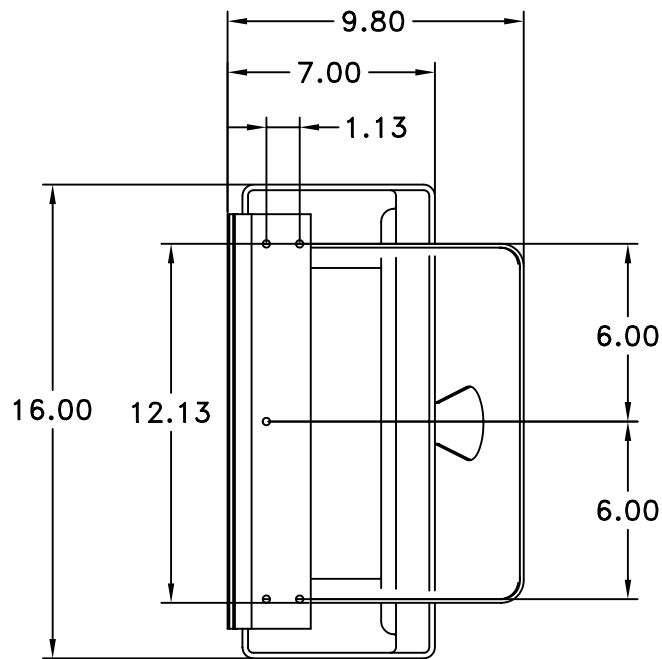


MODEL: U-RCT-1X3-SLIDE

ONE, 3 GALLON BAG HOLDER SLIDE ASSEMBLY
FOR UNDERCOUNTER MOUNTING

JOB:

ITEM#:



BAG HOLDERS MOUNT ON
UNDERSIDE OF COUNTER

0150253.DWG / 09-20-2004

Wunder - Bar

Dispensing Systems

AUTOMATIC BAR CONTROLS, INC.
790 EUBANKS DRIVE
VACAVILLE, CA 95688

PHONE: (707) 448-5151
FAX : (707) 448-1521