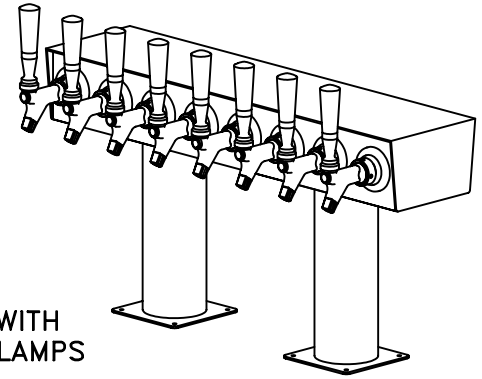


MODEL: WB-BPT-X-Y
WUNDER-BAR, PASS-THRU
BEER TOWER

JOB:

ITEM#:

X= NUMBER OF PRODUCTS - 6-12
 Y= SS FOR GRAINLINE STAINLESS STEEL
 BR FOR POLISHED BRASS



FEATURES:

CONSTRUCTION : 304 STAINLESS STEEL
 OR POLISHED BRASS

BEER:

1/4" ID SHANKS WITH 7-FOOT 3/16" ID RESTRICTION TUBES WITH
 ONE STAINLESS STEEL 3/16" X 3/8" UNION PER BEER AND CLAMPS

GLYCOL:

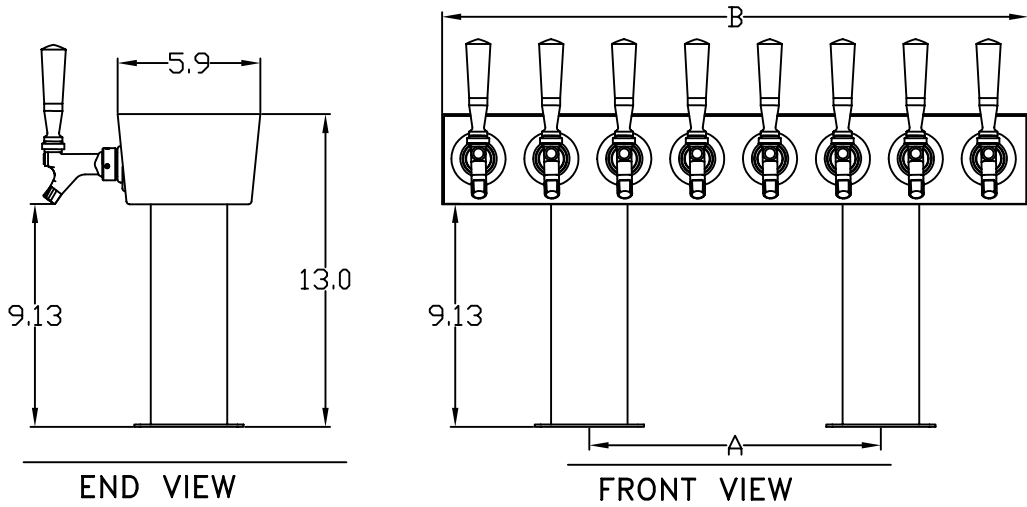
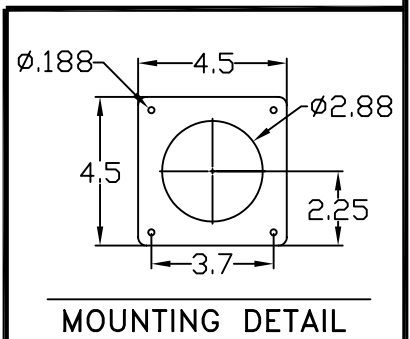
DIRECT - SHANK COOLING WITH 7-FOOT 3/8" ID TUBES WITH
 3/8" BARBED UNIONS

MOUNTING:

SQUARE FLANGE MOUNTING PLATE WITH 3/16" MOUNTING HOLES

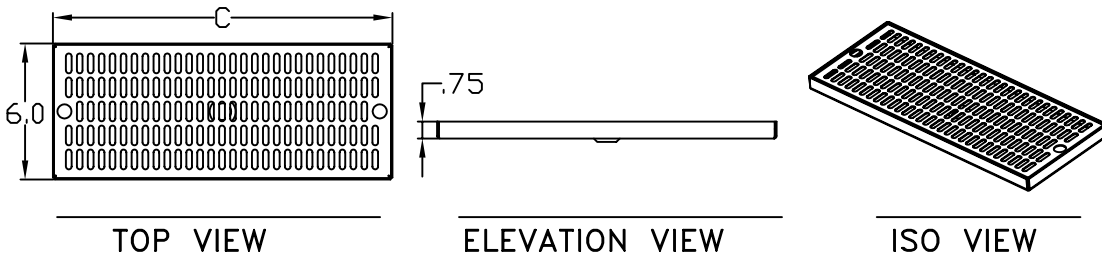
OPTIONAL:

WINE FAUCET(S), DRAINERS, STAINLESS ONE FAUCET AND
 SHANK UPGRADE



TOWER LENGTH

NUMBER OF FAUCETS	"A" LENGTH	"B" LENGTH
6	9"	18.125
8	12"	24.125
10	15"	30.125
12	18"	36.125
14	21"	42.625



OPTIONAL SURFACE MOUNT DRAINERS

NUMBER OF FAUCETS	"C" LENGTH	MODEL
6	21"	71-0021-00
8	27"	71-0027-00
10	33"	71-0033-00
12	39"	71-0039-00
14	45"	71-0045-00

* DRAINERS INCLUDE ONE 1/2" MPT DRAIN FITTING

V:\1150006.DWG / 03/31/04 / 3:04:34 PM

Wunder-Bar Dispensing Systems

AUTOMATIC BAR CONTROLS, INC.
 790 EUBANKS DRIVE
 VACAVILLE, CA 95688

WWW.WUNDERBAR.COM

TOLL FREE : (800) 722-6738
 PHONE: (707) 448-5151
 FAX : (707) 448-1521