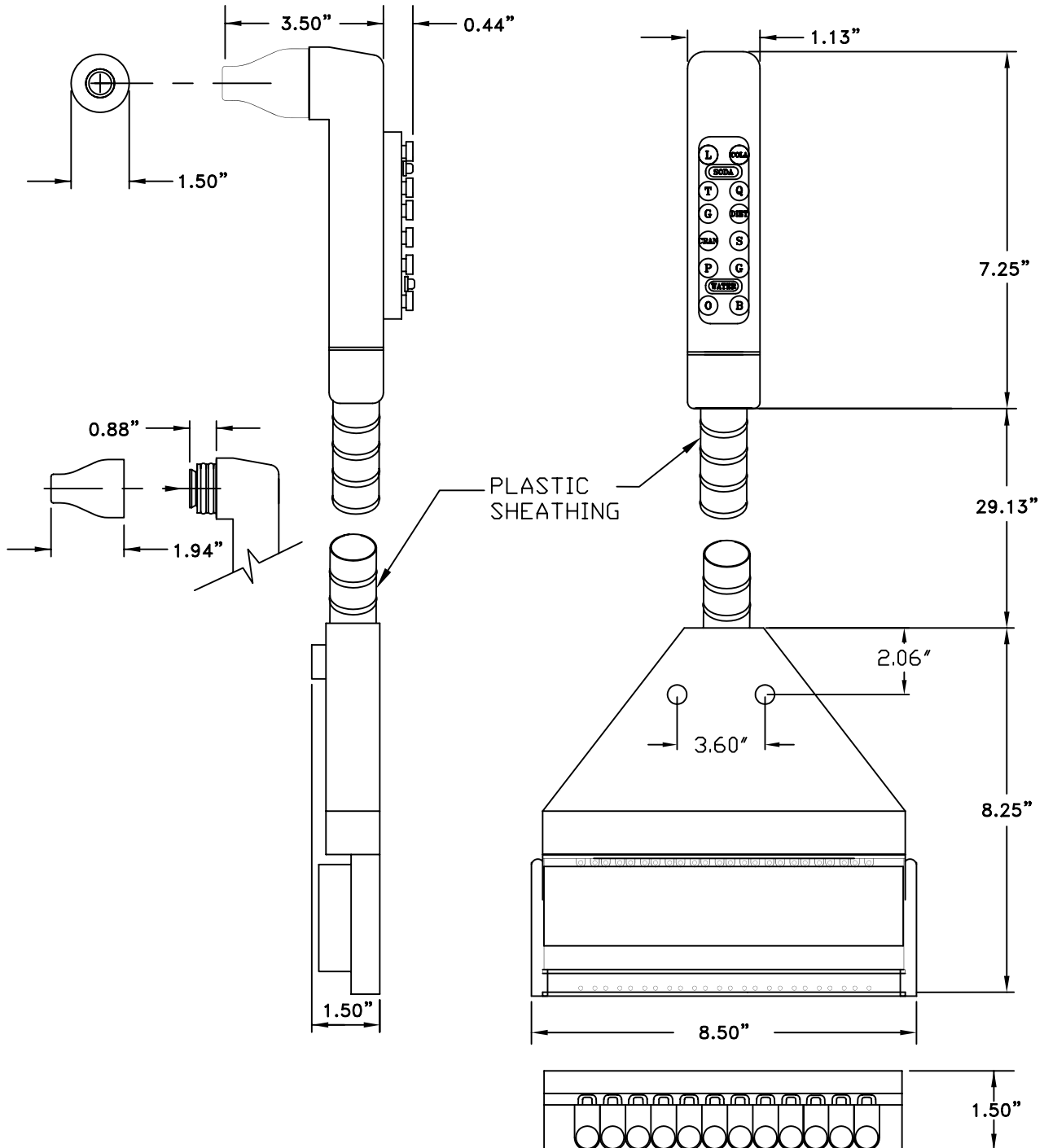


NSF MODEL NUMBER: WBM-14660-BL-S-II-D-N

- 14 BUTTON BLACK DISPENSER
- STANDARD BRIX SCREW MANIFOLD
- SERIES II NOZZLE
- DISCONNECT MANIFOLD
- PLASTIC SHEATHING ONLY



7-26-04

Z:\05\0560042