

**MODEL: WB-CD-4-3-MT**  
**CONDIMENT SYSTEM: 4 STATION WITH**  
**THREE PRODUCT MINI TOWER DISPENSER**

**JOB:**  
**ITEM#:**



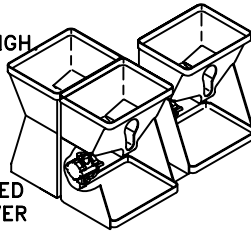
**PRODUCT RACK SPECIFICATIONS:**  
**CONSTRUCTION:** FORMED ACRYLONITRILE BUTADIENE  
 STYRENE (A.B.S.) 100# CAPACITY  
 EXTRA-HEAVY-DUTY TRAY SLIDES.

**CAPACITY:** SIX, THREE-GALLON CONDIMENT  
 BAGS, SIX CONDIMENT PUMPS,  
 SIX 100 LB LOW PRESSURE REGULATORS.

**DIMENSIONS:** 19" WIDE X 26" DEEP X 19" HIGH.

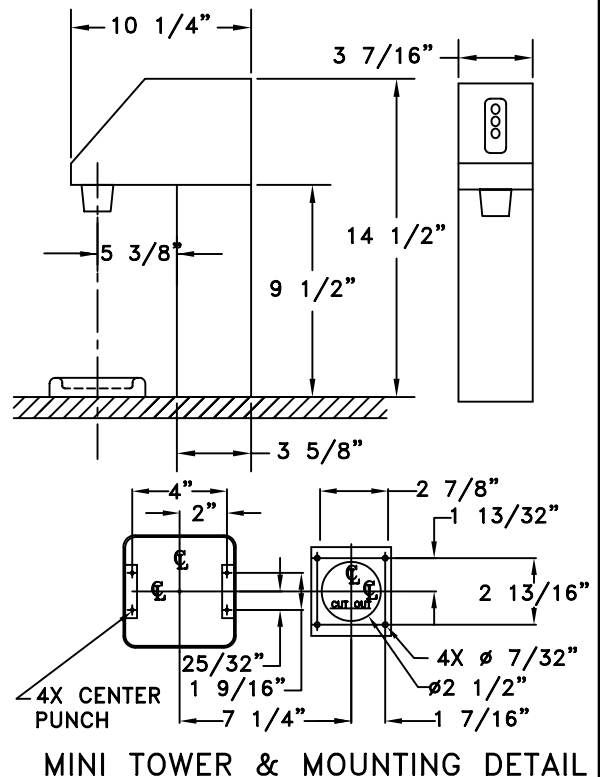
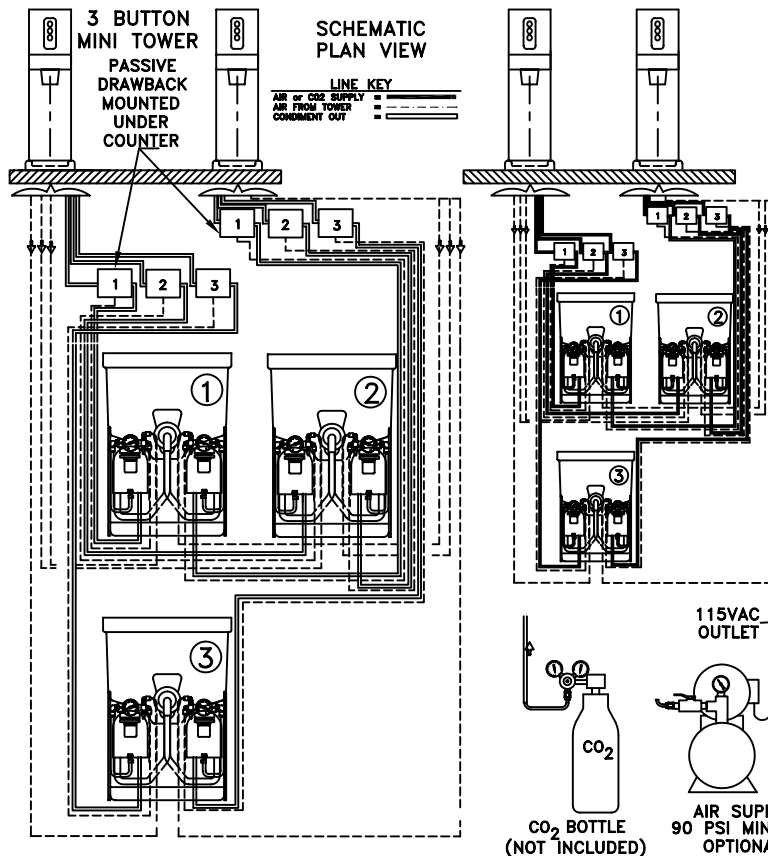
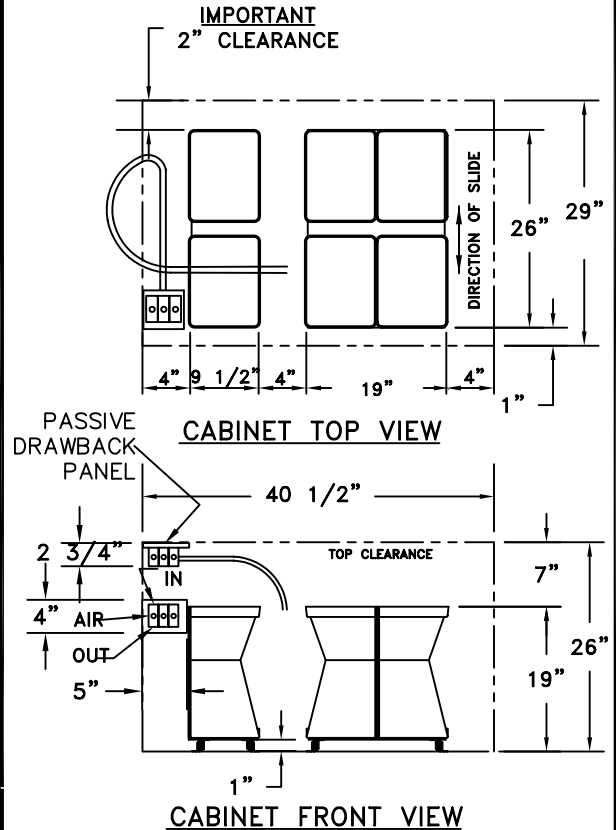
**INSTALLATION:** MINIMUM CABINET REQUIREMENTS  
 29" DEEP X 40 1/2" WIDE X 26" HIGH

**WEIGHT:** 65# (EMPTY)



**SYSTEM FEATURES:**

- FULLY FACTORY ASSEMBLED AND WET-CHECKED NON-PORTION CONTROL CONDIMENT MINI TOWER SIMPLE CONNECTION OF SYSTEM TO TOWER DISPENSER TO COMPLETE FINAL INSTALLATION.
- BUILT-IN CONDIMENT SPILL CONTAINMENT RIM AROUND BASE.
- RACK FULLY EXTENDS FOR EASY RE-LOADING OF BAGS.
- 8' OF 1/4" I.D. PRODUCT TUBING PROVIDED FOR KETCHUP, MUSTARD OR SAUCE. 8' OF 3/8" ID PRODUCT TUBING PROVIDED FOR MAYONNAISE. PLEASE SPECIFY PRODUCTS WHEN ORDERING.
- EXCLUSIVE PASSIVE DRAWBACK VALVE PREVENTS CONDIMENT DRIP BETWEEN DISPENSES. ONE PASSIVE DRAWBACK VALVE INCLUDED PER CONDIMENT PRODUCT.
- FOUR THREE PRODUCT MINI TOWER CONDIMENT DISPENSER. ALL MOUNTING HARDWARE INCLUDED.



Z:\01\0150219.DWG / 4-20-2004

**Wunder - Bar** Dispensing Systems

**AUTOMATIC BAR CONTROLS, INC.**  
 790 EUBANKS DRIVE  
 VACAVILLE, CA 95688

**PHONE: (707) 448-5151**  
**FAX : (707) 448-1521**