

MODEL: WB-CD-2-4-MT

CONDIMENT SYSTEM: 2 STATION WITH FOUR PRODUCT MINI TOWER DISPENSER

JOB:

ITEM#:



PRODUCT RACK SPECIFICATIONS:

CONSTRUCTION: VACUUM FORMED ACRYLONITRILE BUTADIENE STYRENE (A.B.S.) 100# CAPACITY EXTRA-HEAVY-DUTY TRAY SLIDES.

CAPACITY: FOUR, THREE-GALLON CONDIMENT BAGS, FOUR CONDIMENT PUMPS, FOUR 100# LOW PRESSURE REGULATOR.

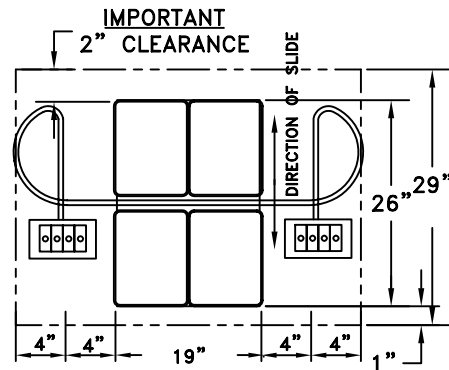
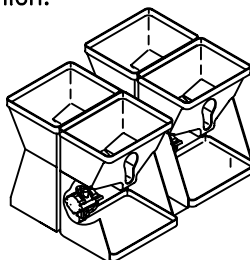
DIMENSIONS: 18 3/4" WIDE X 26" DEEP X 19" HIGH.

INSTALLATION: MINIMUM CABINET REQUIREMENTS 28" DEEP X 20" WIDE X 23" HIGH.

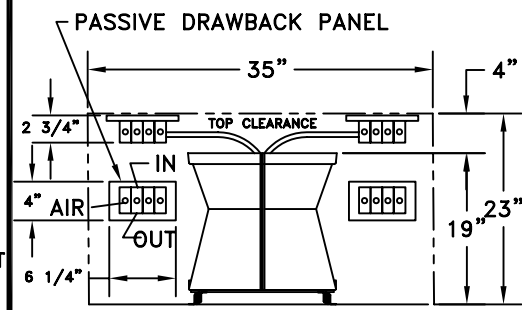
WEIGHT: 75# (EMPTY)

SYSTEM FEATURES:

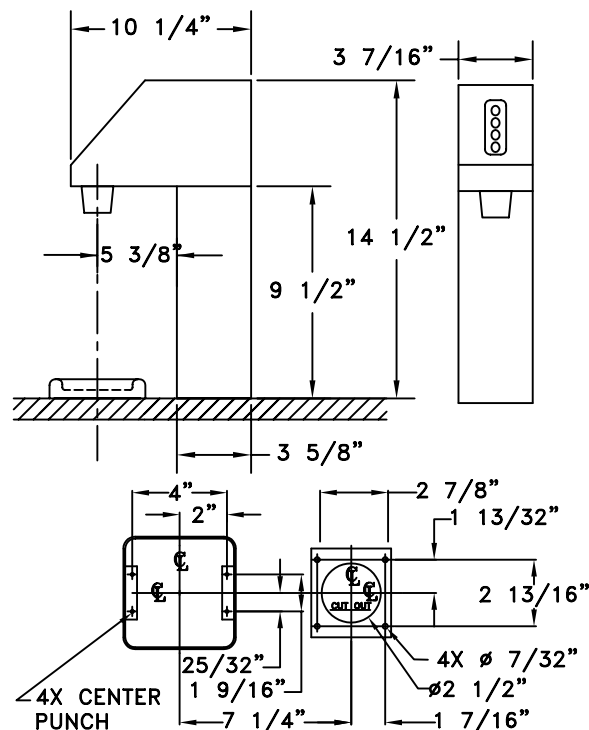
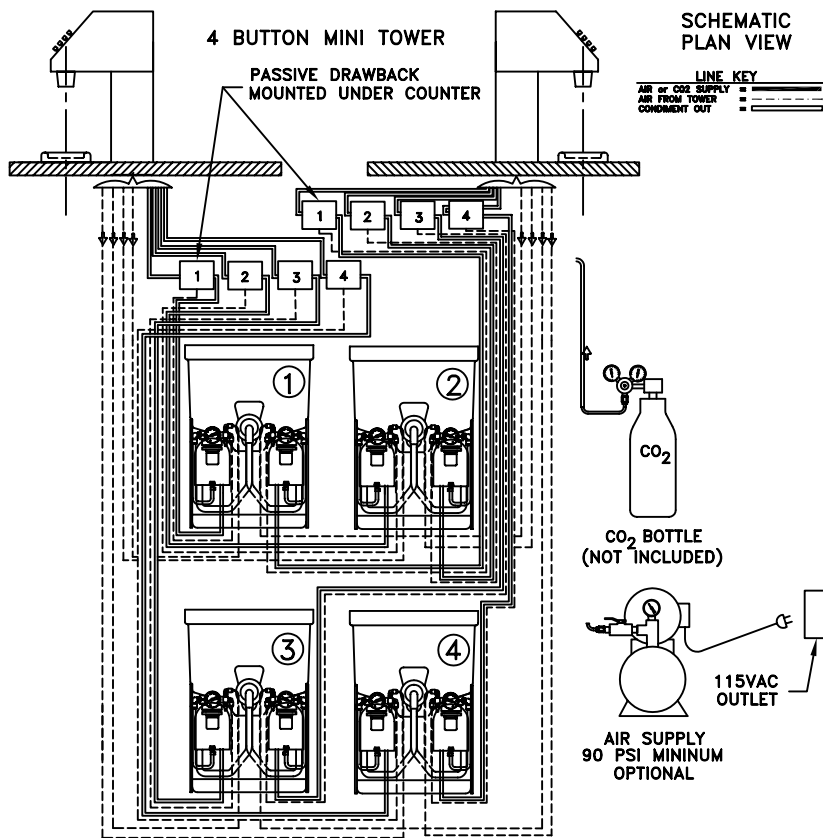
- FULLY FACTORY ASSEMBLED AND WET-CHECKED, NON-PORTION CONTROL CONDIMENT MINI TOWER. SIMPLE CONNECTION OF SYSTEM TO TOWER DISPENSER TO COMPLETE FINAL INSTALLATION.
- BUILT-IN CONDIMENT SPILL CONTAINMENT RIM AROUND PERIMETER OF BASE.
- RACK FULLY EXTENDS FOR EASY RE-LOADING OF BAGS.
- 8' OF 1/4" I.D. PRODUCT TUBING PROVIDED PER CONDIMENT FOR KETCHUP, MUSTARD OR SAUCE. 8' OF 3/8" ID PRODUCT TUBING PROVIDED FOR MAYONNAISE. PLEASE SPECIFY PRODUCTS.
- EXCLUSIVE PASSIVE DRAWBACK VALVE PREVENTS CONDIMENT DRIP BETWEEN DISPENSES. ONE PASSIVE DRAWBACK VALVE INCLUDED PER CONDIMENT PRODUCT
- TWO FOUR PRODUCT MINI TOWER CONDIMENT DISPENSERS. ALL MOUNTING HARDWARE INCLUDED.



CABINET TOP VIEW



CABINET FRONT VIEW



Z:\01\0150028D.DWG / 3-31-2004

Wunder-Bar Dispensing Systems

AUTOMATIC BAR CONTROLS, INC. 790 EUBANKS DRIVE VACAVILLE, CA 95688

PHONE: (707) 448-5151 FAX : (707) 448-1521