

MODEL: **WB-CD-1-4-MT**

CONDIMENT SYSTEM: 1 STATION WITH
FOUR PRODUCT MINI TOWER DISPENSER

JOB:

ITEM#:

NSE

PRODUCT RACK SPECIFICATIONS:

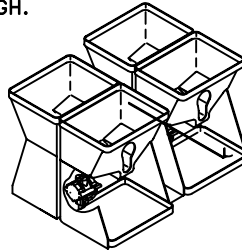
CONSTRUCTION: VACUUM FORMED ACRYLONITRILE BUTADIENE
STYRENE (A.B.S.) 100# CAPACITY
EXTRA-HEAVY-DUTY TRAY SLIDES.

CAPACITY: FOUR, THREE-GALLON CONDIMENT
BAGS, FOUR CONDIMENT PUMPS,
FOUR 100# LOW PRESSURE REGULATOR.

DIMENSIONS: 18 3/4" WIDE X 26" DEEP X 19" HIGH.

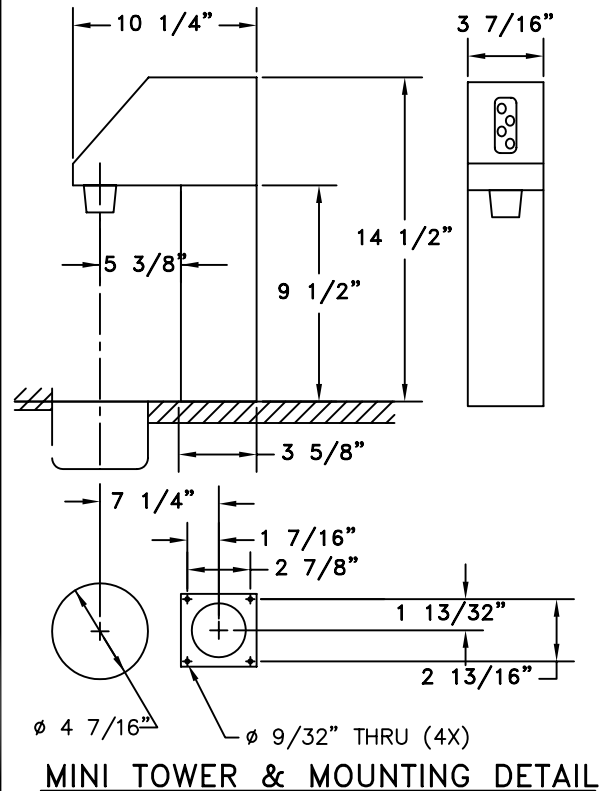
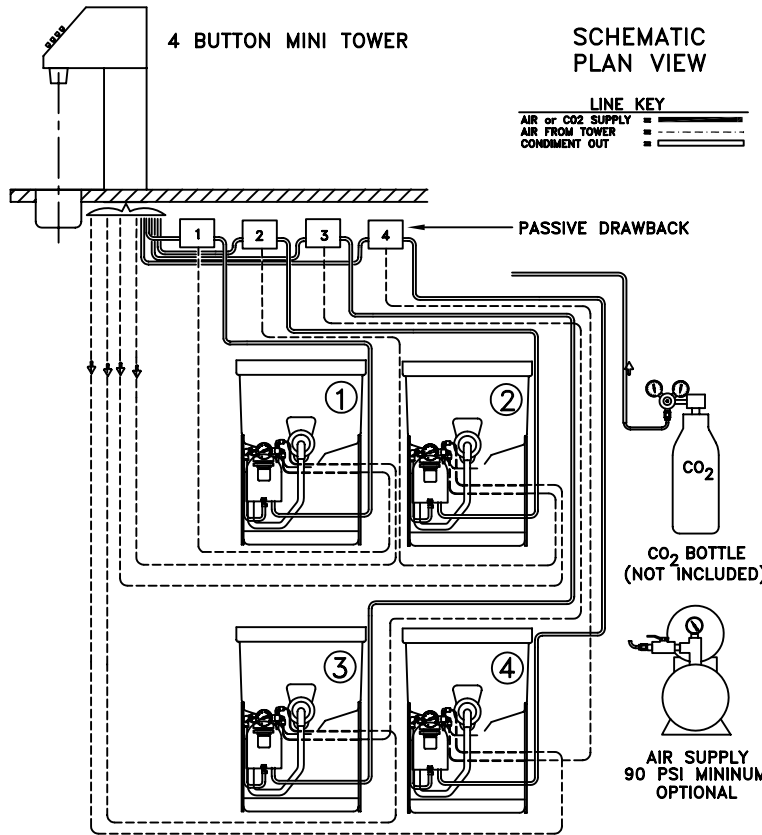
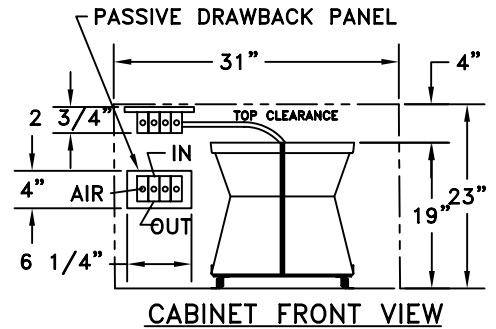
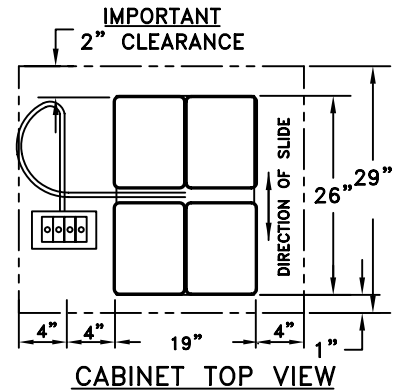
INSTALLATION: MINIMUM CABINET REQUIREMENTS
28" DEEP X 20" WIDE X 23" HIGH.

WEIGHT: 65# (EMPTY)



SYSTEM FEATURES:

- FULLY FACTORY ASSEMBLED AND WET-CHECKED NON-PORTION CONTROL CONDIMENT MINI TOWER SIMPLE CONNECTION OF SYSTEM TO TOWER DISPENSER TO COMPLETE FINIAL INSTALLATION.
- BUILT-IN CONDIMENT SPILL CONTAINMENT RIM AROUND PERIMETER OF BASE.
- RACK FULLY EXTENDS FOR EASY RE-LOADING OF BAGS.
- 8' OF 1/4" I.D. PRODUCT TUBING PROVIDED PER CONDIMENT FOR KETCHUP, MUSTARD OR SAUCE. 8' OF 3/8" ID PRODUCT TUBING PROVIDED FOR MAYONNAISE. PLEASE SPECIFY PRODUCTS WHEN ORDERING.
- EXCLUSIVE PASSIVE DRAWBACK VALVE PREVENTS CONDIMENT DRIP BETWEEN DISPENSES. ONE PASSIVE DRAWBACK VALVE INCLUDED PER CONDIMENT PRODUCT.
- FOUR PRODUCT MINI TOWER CONDIMENT DISPENSER. ALL MOUNTING HARDWARE INCLUDED.



Z:\01\0150024A.DWG / 2-18-2004

Wunder-Bar

Dispensing Systems

AUTOMATIC BAR CONTROLS, INC.
790 EUBANKS DRIVE
VACAVILLE, CA 95688

PHONE: (707) 448-5151
FAX : (707) 448-1521