

MODEL: WB-CD-1-3-MT
CONDIMENT SYSTEM: 1 STATION WITH
 THREE PRODUCT MINI TOWER DISPENSER

JOB:



ITEM#:

PRODUCT RACK SPECIFICATIONS:

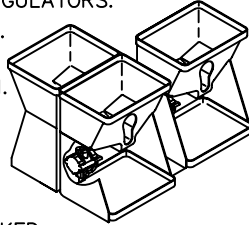
CONSTRUCTION: FORMED ACRYLONITRILE BUTADIENE
 STYRENE (A.B.S.) 100# CAPACITY
 EXTRA-HEAVY-DUTY TRAY SLIDES.

CAPACITY: THREE, THREE-GALLON CONDIMENT
 BAGS, THREE CONDIMENT PUMPS,
 THREE 100 LB LOW PRESSURE REGULATORS.

DIMENSIONS: 19" WIDE X 26" DEEP X 19" HIGH.

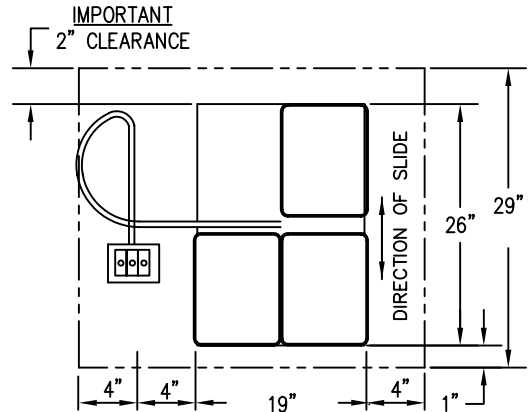
INSTALLATION: MINIMUM CABINET REQUIREMENTS
 29" DEEP X 31" WIDE X 26" HIGH.

WEIGHT: 65# (EMPTY)

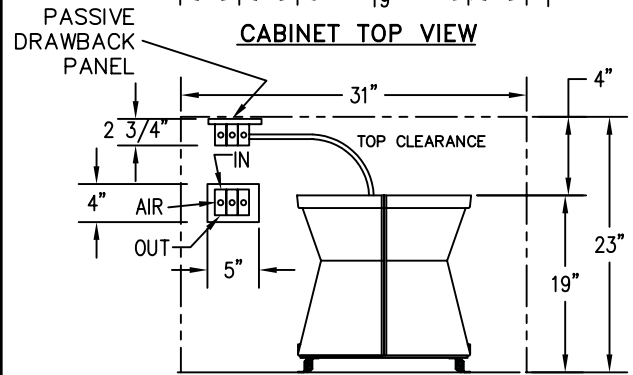


SYSTEM FEATURES:

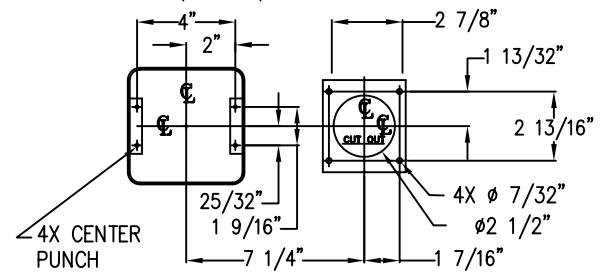
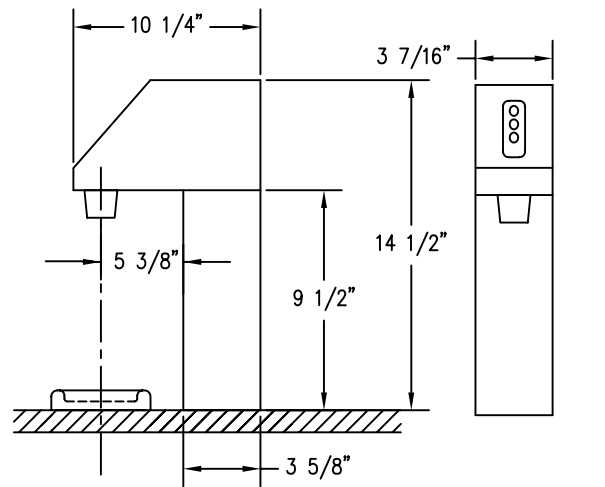
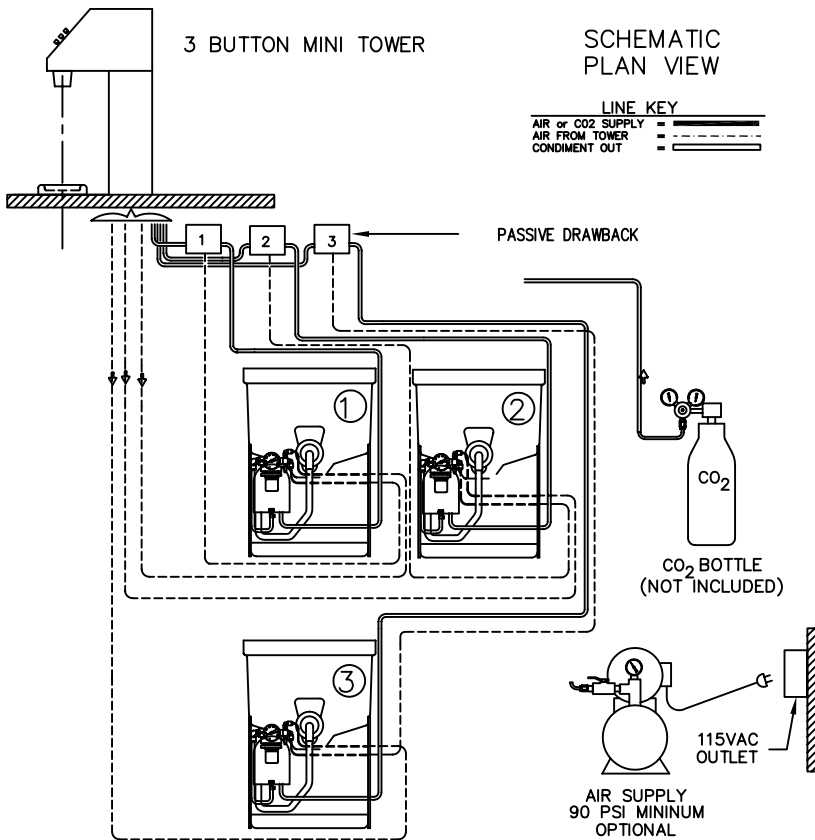
- FULLY FACTORY ASSEMBLED AND WET-CHECKED
 NON-PORTION CONTROL CONDIMENT MINI TOWER
 SIMPLE CONNECTION OF SYSTEM TO TOWER
 DISPENSER TO COMPLETE FINIAL INSTALLATION.
- BUILT-IN CONDIMENT SPILL CONTAINMENT RIM AROUND BASE.
- RACK FULLY EXTENDS FOR EASY RE-LOADING OF BAGS.
- 8' OF 1/4" I.D. PRODUCT TUBING PROVIDED FOR KETCHUP,
 MUSTARD OR SAUCE. 8' OF 3/8" ID PRODUCT TUBING PROVIDED
 FOR MAYONNAISE. PLEASE SPECIFY PRODUCTS WHEN ORDERING.
- EXCLUSIVE PASSIVE DRAWBACK VALVE PREVENTS CONDIMENT DRIP BETWEEN
 DISPENSES. ONE PASSIVE DRAWBACK VALVE INCLUDED PER CONDIMENT PRODUCT.
- THREE PRODUCT MINI TOWER CONDIMENT DISPENSER.
 ALL MOUNTING HARDWARE INCLUDED.



CABINET TOP VIEW



CABINET FRONT VIEW



MINI TOWER & MOUNTING DETAIL

Z:\01\0150023C.DWG / 03-31-2004

Wunder - Bar Dispensing Systems

AUTOMATIC BAR CONTROLS, INC.
 790 EUBANKS DRIVE
 VACAVILLE, CA 95688

PHONE: (707) 448-5151
FAX : (707) 448-1521