

MODEL: **WB-CD-1-2-MT**

CONDIMENT SYSTEM: 1 STATION WITH TWO PRODUCT MINI TOWER DISPENSER

JOB:

ITEM#:



**PRODUCT RACK SPECIFICATIONS:**

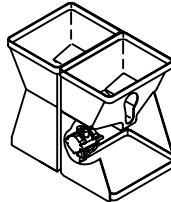
**CONSTRUCTION:** VACUUM FORMED ACRYLONITRILE BUTADIENE STYRENE (A.B.S.) 100# CAPACITY EXTRA-HEAVY-DUTY TRAY SLIDES.

**CAPACITY:** TWO, THREE-GALLON CONDIMENT BAGS, TWO CONDIMENT PUMPS, TWO 100# LOW PRESSURE REGULATOR.

**DIMENSIONS:** 18 3/4" WIDE X 26" DEEP X 19" HIGH.

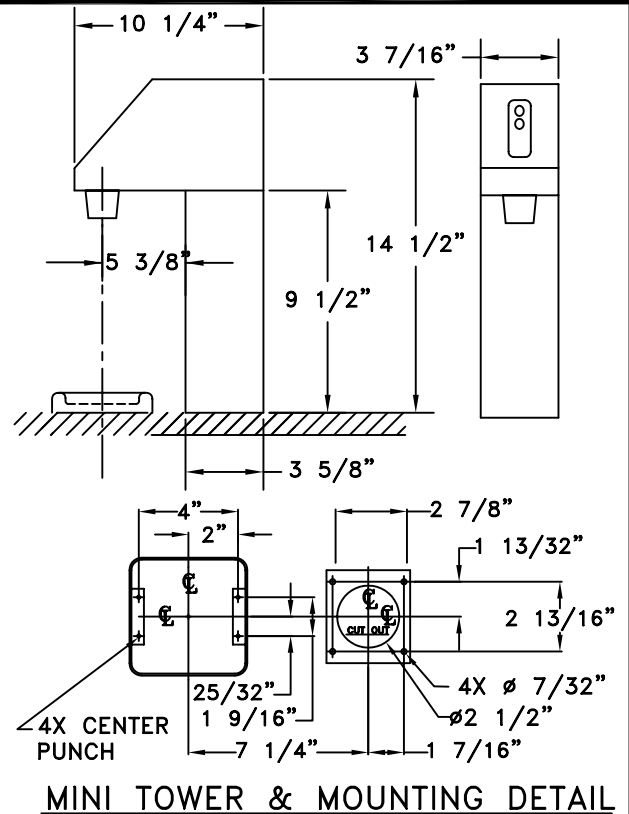
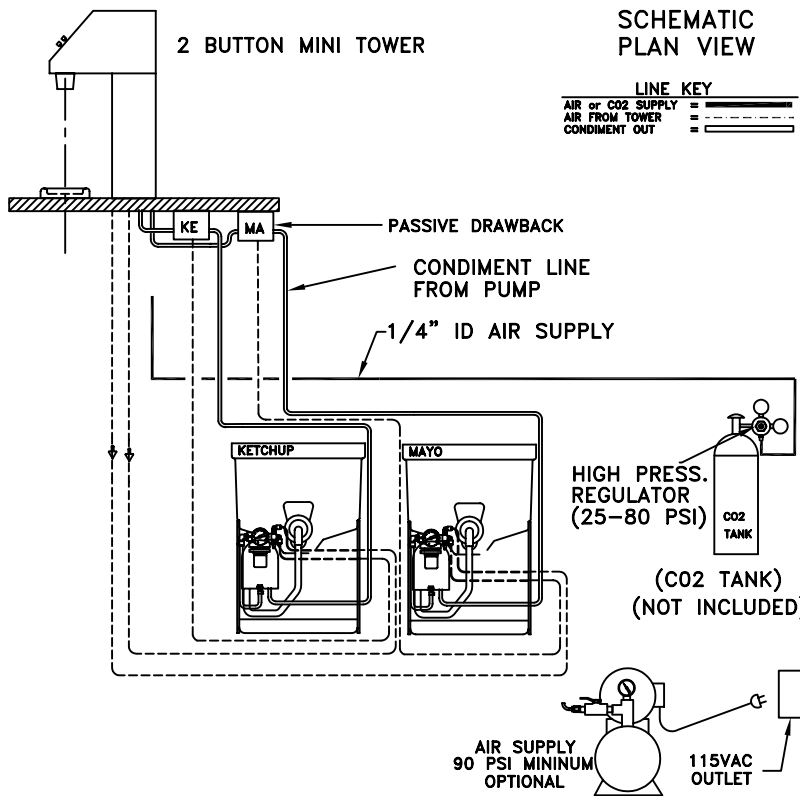
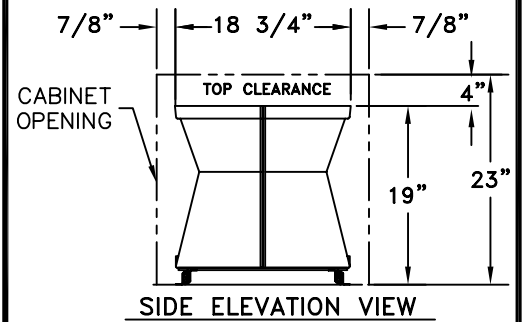
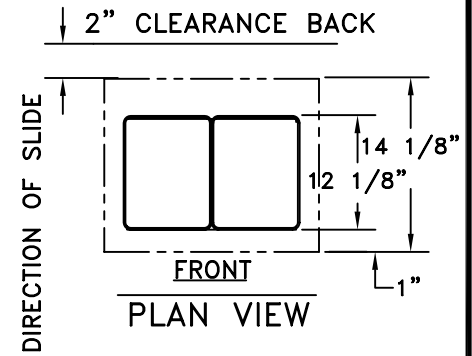
**INSTALLATION:** MINIMUM CABINET REQUIREMENTS 28" DEEP X 20" WIDE X 23" HIGH.

**WEIGHT:** 45# (EMPTY)



**SYSTEM FEATURES:**

- FULLY FACTORY ASSEMBLED AND WET-CHECKED NON-PORTION CONTROL CONDIMENT MINI TOWER SIMPLE CONNECTION OF SYSTEM TO TOWER DISPENSER TO COMPLETE FINIAL INSTALLATION.
- BUILT-IN CONDIMENT SPILL CONTAINMENT RIM AROUND PERIMETER OF BASE.
- RACK FULLY EXTENDS FOR EASY RE-LOADING OF BAGS.
- 8' OF 1/4" I.D. PRODUCT TUBING PROVIDED PER CONDIMENT FOR KETCHUP, MUSTARD OR SAUCE. 8' OF 3/8" ID PRODUCT TUBING PROVIDED FOR MAYONNAISE. PLEASE SPECIFY PRODUCTS WHEN ORDERING.
- EXCLUSIVE PASSIVE DRAWBACK VALVE PREVENTS CONDIMENT DRIP BETWEEN DISPENSES. ONE PASSIVE DRAWBACK VALVE INCLUDED PER CONDIMENT PRODUCT.
- TWO PRODUCT MINI TOWER CONDIMENT DISPENSER. ALL MOUNTING HARDWARE INCLUDED.



Z:\01\0150022B.DWG / 03-31-2004

# Wunder-Bar Dispensing Systems

AUTOMATIC BAR CONTROLS, INC.  
790 EUBANKS DRIVE  
VACAVILLE, CA 95688

PHONE: (707) 448-5151  
FAX : (707) 448-1521