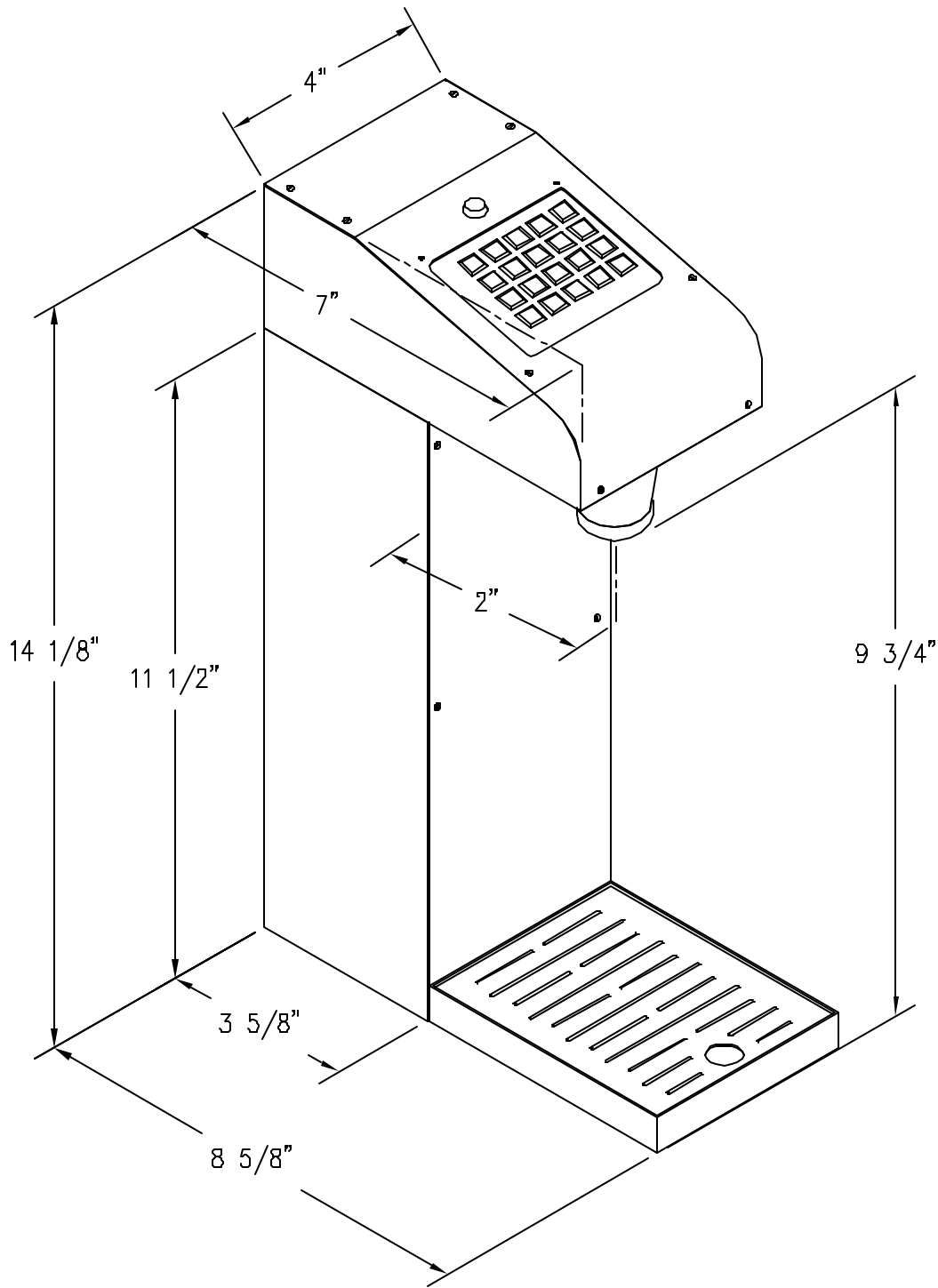


MODEL: WB-16L-TOWER
16 PRODUCT LIQUOR TOWER

JOB:

ITEM#:



Wunder - Bar Dispensing Systems

AUTOMATIC BAR CONTROLS, INC.
790 EUBANKS DRIVE
VACAVILLE, CA 95688

PHONE: (707) 448-5151
FAX : (707) 448-1521