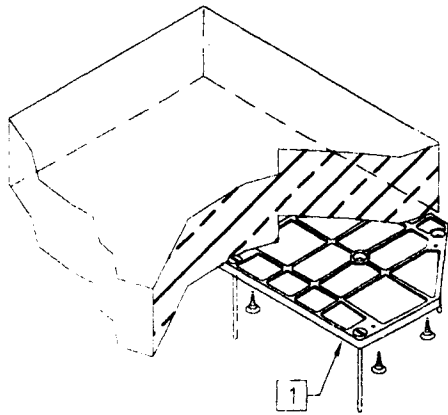
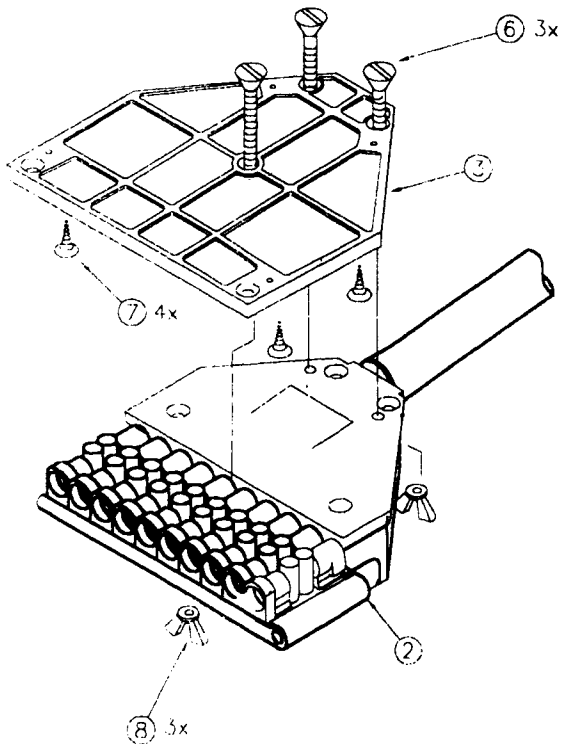


Wunder-Bar *Dispensing Systems*

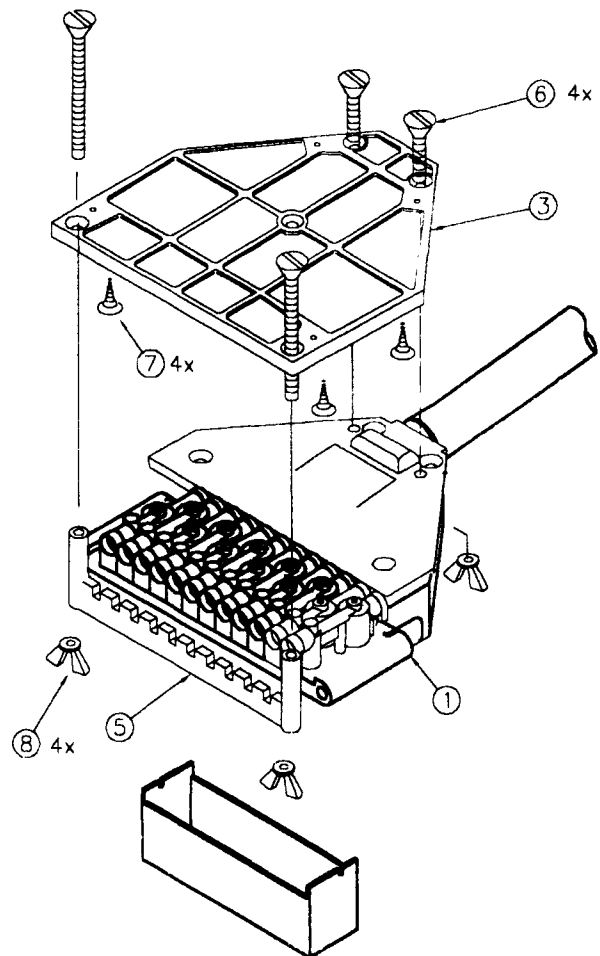


ATTENTION INSTALLERS!!!

1. INSTALL THE 2" LONG FLAT HEAD SCREWS (ITEM 6) INTO THE MOUNTING PLATE (ITEM 3) PRIOR TO SECURING PLATE TO CABINETY TIGHTEN SNUGLY!!
2. DRILL 1/16" DIA. PILOT HOLES FOR WOOD SCREWS (ITEM 7) USING TEMPLATE SHOWN (REVERSE SIDE OF THIS DOCUMENT)
3. SECURE MOUNTING PLATE TO CABINET



COLLECTOR
WITH STANDARD
INPUT MODULES



COLLECTOR
WITH FLOW
REGULATORS

QWIKMOUNT.DWG