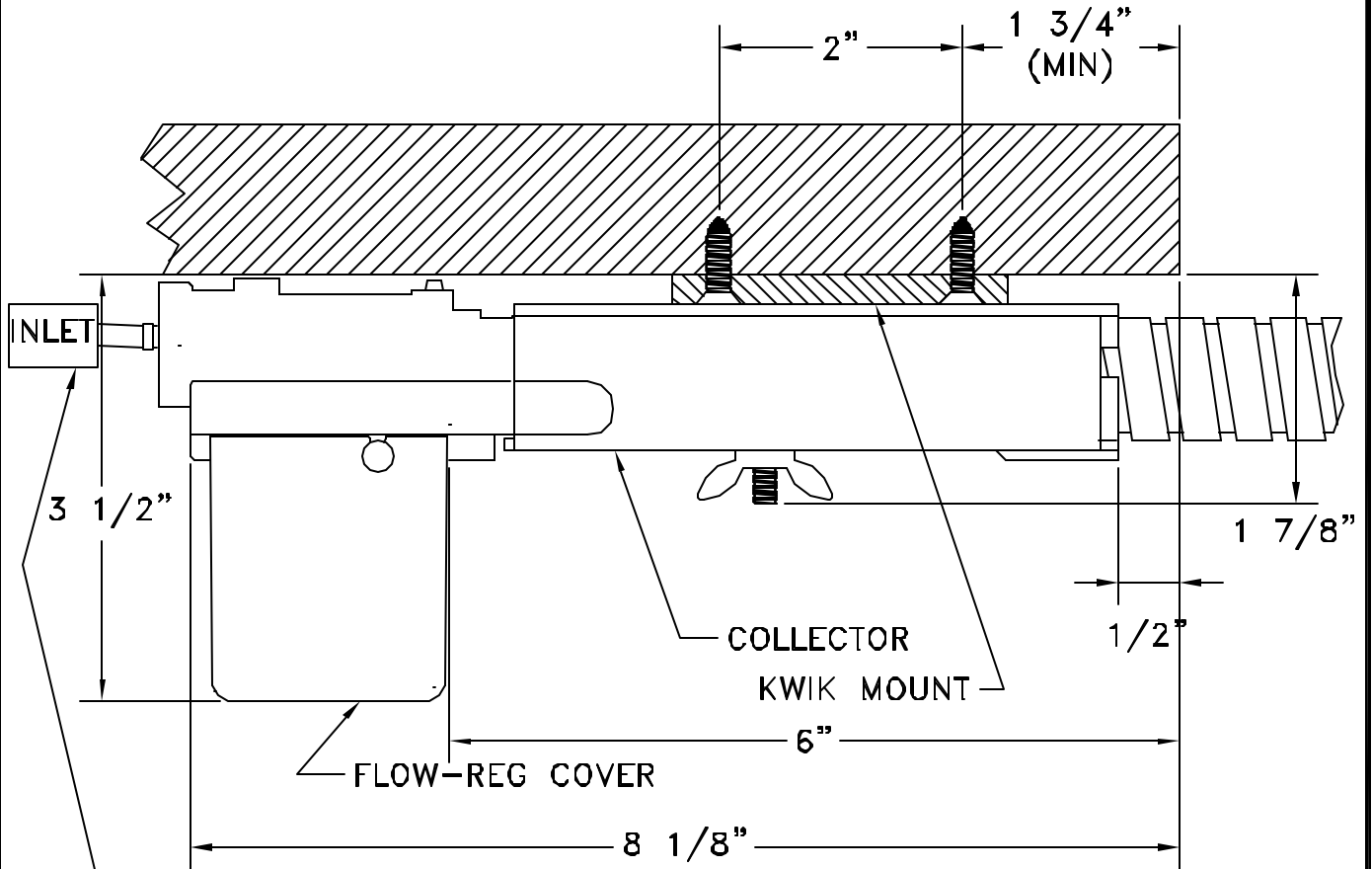


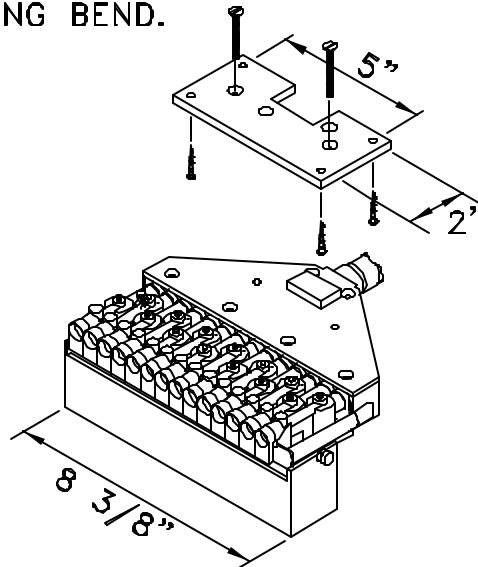
MODEL: PM14-039
14 BRAND KWIK MOUNT INSTALLATION

JOB:

ITEM#:



ENOUGH CLEARANCE MUST BE GIVEN
FOR FITTING AND PROPER TUBING BEND.



Z:\05\0550028.DWG / 02-11-1999 / 12:33:22 PM

Wunder - Bar Dispensing Systems

AUTOMATIC BAR CONTROLS, INC.
790 EUBANKS DRIVE
VACAVILLE, CA 95688

PHONE: (707) 448-5151
FAX : (707) 448-1521