

JOB:

ITEM#:



MODEL: WB-SCD-1-2 GT
SAUCE SYSTEM: ONE STATION,
TWO BUTTON, TWO PRODUCT
DISPENSERS

PRODUCT RACK SPECIFICATIONS:

CONSTRUCTION: VACUUM FORMED ACRYLONITRILE BUTADIENE STYRENE (A.B.S.) 100# CAPACITY EXTRA-HEAVY-DUTY TRAY SLIDES.

CAPACITY: TWO, THREE-GALLON CONDIMENT BAGS, TWO CONDIMENT PUMPS, TWO 100# LOW PRESSURE REGULATOR.

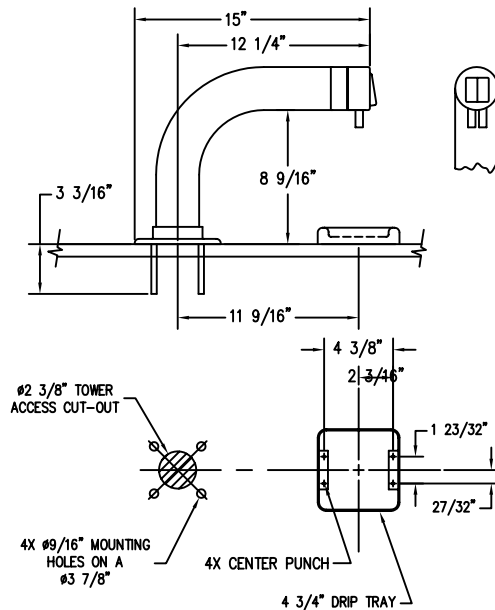
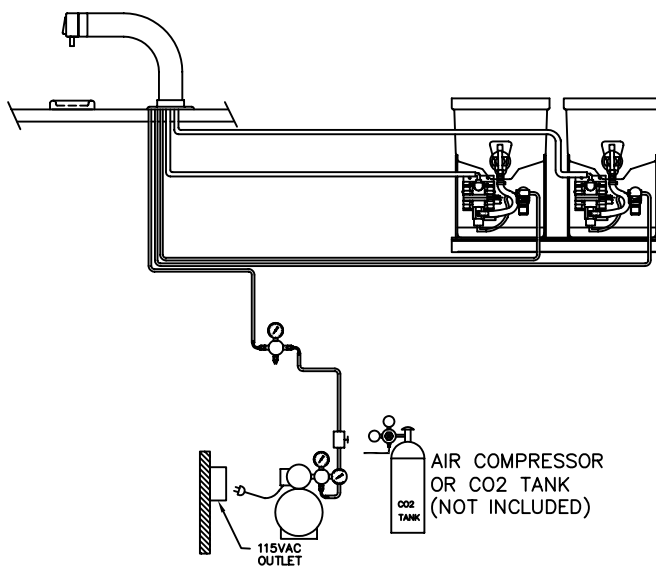
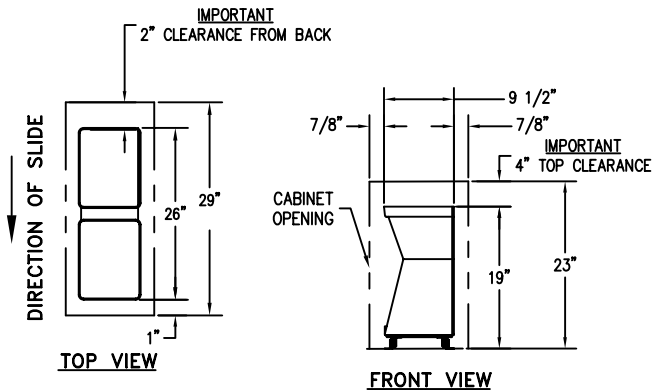
DIMENSIONS: 9 1/2" WIDE X 26" DEEP X 19" HIGH.

INSTALLATION: MINIMUM CABINET REQUIREMENTS 11 1/4" WIDE X 29" DEEP X 23" HIGH.

WEIGHT: 45# (EMPTY)

SYSTEM FEATURES:

- FULLY FACTORY ASSEMBLED AND WET-CHECKED WITH TWO PRODUCT, NON-PORTION CONTROL CONDIMENT GOOSENECK TOWER. SIMPLE CONNECTION OF SYSTEM TO GOOSENECK TOWER TO COMPLETE FINAL INSTALLATION.
- BUILT-IN CONDIMENT SPILL CONTAINMENT RIM AROUND PERIMETER OF BASE.
- RACK FULLY EXTENDS FOR EASY RELOADING OF CONDIMENT BAGS.
- 8' OF 1/4" I.D. PRODUCT TUBING PROVIDED PER CONDIMENT FOR KETCHUP, MUSTARD OR SAUCE . 8' OF 3/8" ID PRODUCT TUBING PROVIDED FOR MAYONNAISE. PLEASE SPECIFY PRODUCTS
- ONE PRODUCT TOWER TYPE CONDIMENT DISPENSER ALL MOUNTING HARDWARE AND ABS DRIP TRAY INCLUDED.



TUBE TOWER & MOUNTING DETAIL



AUTOMATIC BAR CONTROLS, INC.
790 EUBANKS DRIVE
VACAVILLE, CA 95688

PHONE: (707) 448-5151
FAX : (707) 448-1521
WWW.WUNDERBAR.COM