

MODEL: WB-CD-3-4-ET

CONDIMENT SYSTEM: 3 STATION WITH  
FOUR PRODUCT EURO TOWER DISPENSER

JOB:

ITEM#:



**PRODUCT RACK SPECIFICATIONS:**

**CONSTRUCTION:** VACUUM FORMED ACRYLONITRILE BUTADIENE  
STYRENE (A.B.S.) 100# CAPACITY  
EXTRA-HEAVY-DUTY TRAY SLIDES.

**CAPACITY:** EIGHT, THREE-GALLON CONDIMENT  
BAGS, EIGHT CONDIMENT PUMPS,  
EIGHT 100# LOW PRESSURE REGULATOR.

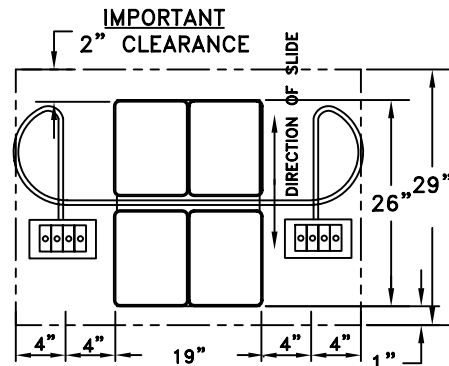
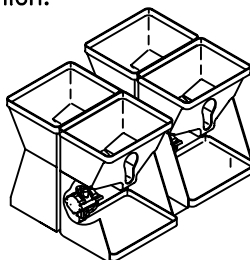
**DIMENSIONS:** 18 3/4" WIDE X 26" DEEP X 19" HIGH.

**INSTALLATION:** MINIMUM CABINET REQUIREMENTS  
28" DEEP X 20" WIDE X 23" HIGH.

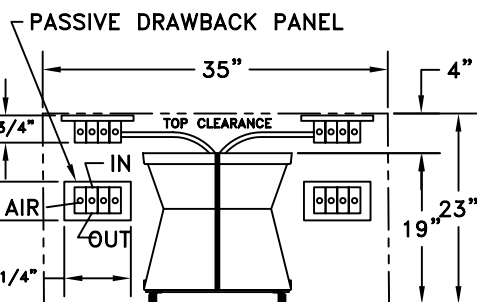
**WEIGHT:** 75# (EMPTY)

**SYSTEM FEATURES:**

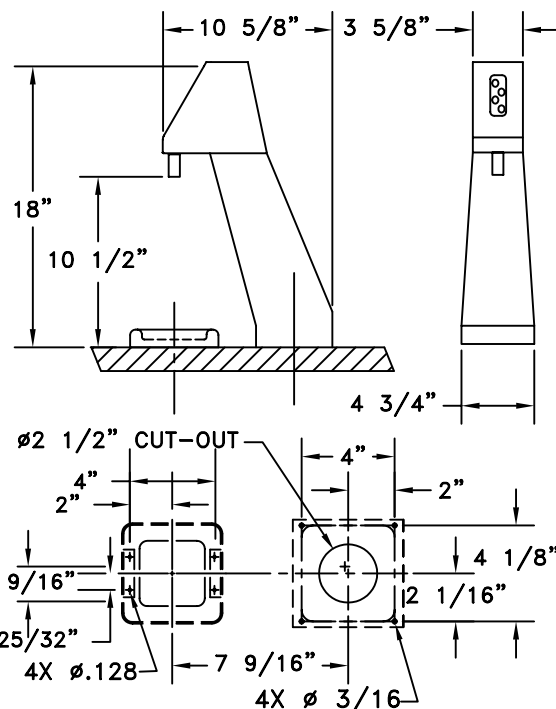
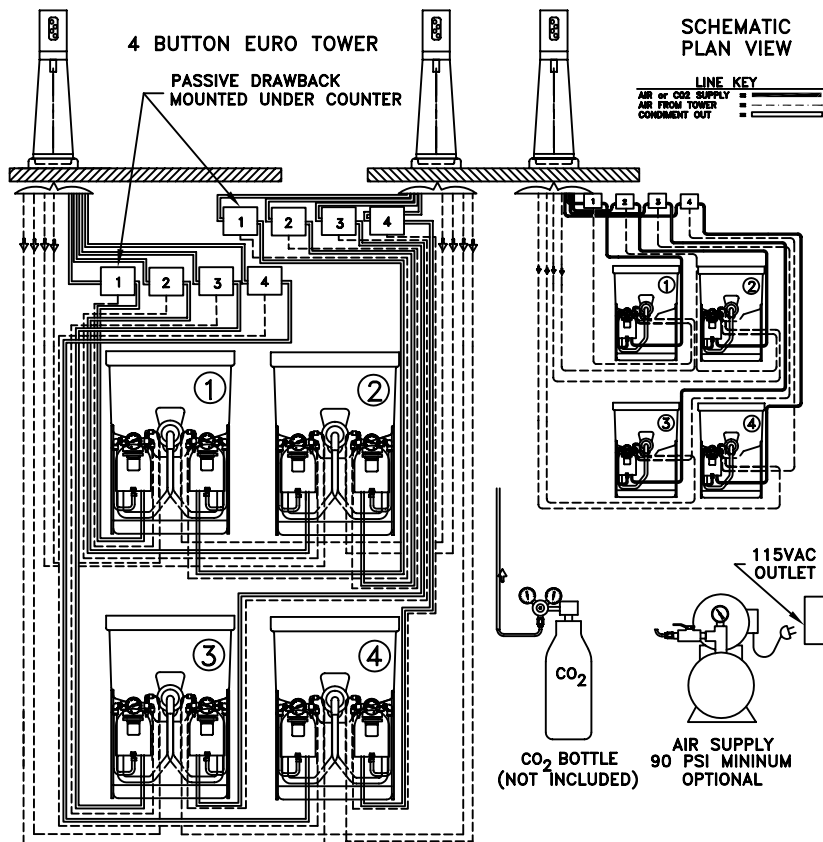
- FULLY FACTORY ASSEMBLED AND WET-CHECKED, NON-PORTION CONTROL CONDIMENT EURO TOWER. SIMPLE CONNECTION OF SYSTEM TO TOWER DISPENSER TO COMPLETE FINAL INSTALLATION.
- BUILT-IN CONDIMENT SPILL CONTAINMENT RIM AROUND PERIMETER OF BASE.
- RACK FULLY EXTENDS FOR EASY RE-LOADING OF BAGS.
- 8' OF 1/4" I.D. PRODUCT TUBING PROVIDED PER CONDIMENT FOR KETCHUP, MUSTARD OR SAUCE. 8' OF 3/8" ID PRODUCT TUBING PROVIDED FOR MAYONNAISE. PLEASE SPECIFY PRODUCTS.
- EXCLUSIVE PASSIVE DRAWBACK VALVE PREVENTS CONDIMENT DRIP BETWEEN DISPENSES. ONE PASSIVE DRAWBACK VALVE INCLUDED PER CONDIMENT PRODUCT
- THREE FOUR PRODUCT EURO TOWER CONDIMENT DISPENSERS. ALL MOUNTING HARDWARE INCLUDED.



CABINET TOP VIEW



CABINET FRONT VIEW



EURO TOWER & MOUNTING DETAIL

Z:\01\0150225.DWG / 4-21-2004

*Wunder-Bar* Dispensing Systems

AUTOMATIC BAR CONTROLS, INC.  
790 EUBANKS DRIVE  
VACAVILLE, CA 95688

PHONE: (707) 448-5151  
FAX : (707) 448-1521