

MODEL: WB-CD-4-3-ET

CONDIMENT SYSTEM: 4 STATION WITH
THREE PRODUCT EURO TOWER DISPENSER

JOB:

ITEM#:

NSF

PRODUCT RACK SPECIFICATIONS:

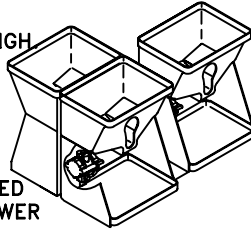
CONSTRUCTION: FORMED ACRYLONITRILE BUTADIENE
STYRENE (A.B.S.) 100# CAPACITY
EXTRA-HEAVY-DUTY TRAY SLIDES.

CAPACITY: SIX, THREE-GALLON CONDIMENT
BAGS, SIX CONDIMENT PUMPS,
SIX 100 LB LOW PRESSURE REGULATORS.

DIMENSIONS: 19" WIDE X 26" DEEP X 19" HIGH.

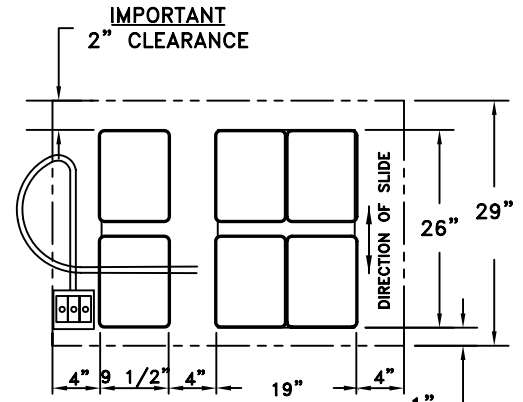
INSTALLATION: MINIMUM CABINET REQUIREMENTS
29" DEEP X 40 1/2" WIDE X 26" HIGH

WEIGHT: 65# (EMPTY)

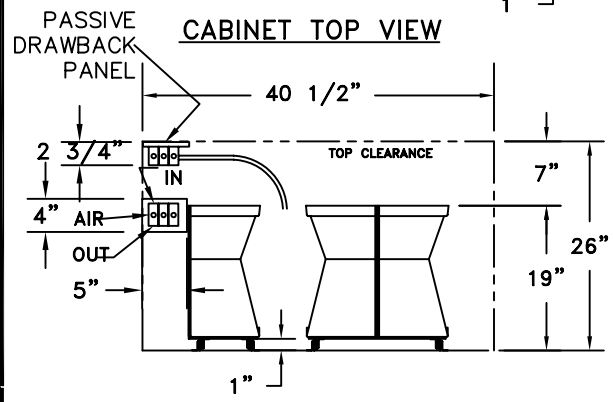


SYSTEM FEATURES:

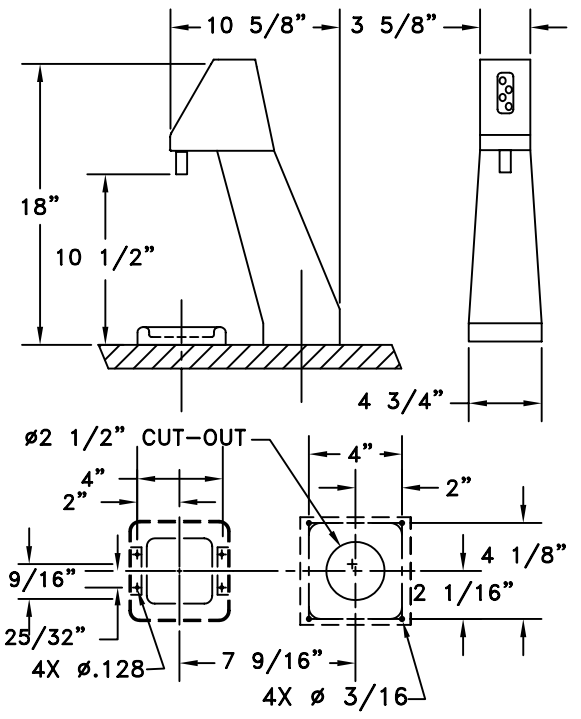
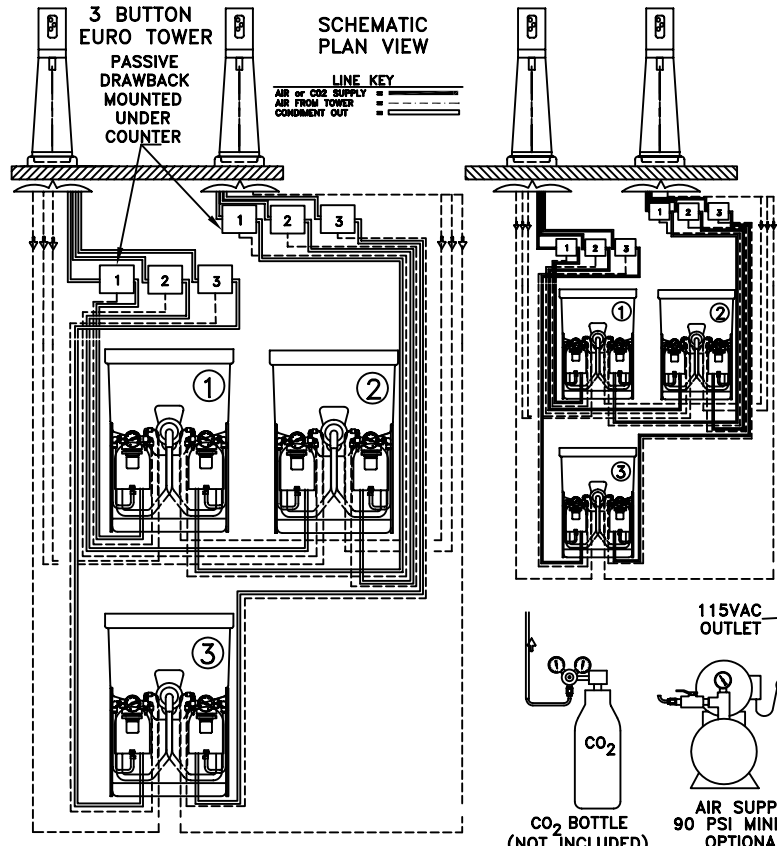
- FULLY FACTORY ASSEMBLED AND WET-CHECKED
NON-PORTION CONTROL CONDIMENT EURO TOWER
SIMPLE CONNECTION OF SYSTEM TO TOWER
DISPENSER TO COMPLETE FINAL INSTALLATION.
- BUILT-IN CONDIMENT SPILL CONTAINMENT RIM AROUND BASE.
- RACK FULLY EXTENDS FOR EASY RE-LOADING OF BAGS.
- 8' OF 1/4" I.D. PRODUCT TUBING PROVIDED FOR KETCHUP,
MUSTARD OR SAUCE. 8' OF 3/8" ID PRODUCT TUBING PROVIDED
FOR MAYONNAISE. PLEASE SPECIFY PRODUCTS WHEN ORDERING.
- EXCLUSIVE PASSIVE DRAWBACK VALVE PREVENTS CONDIMENT DRIP BETWEEN
DISPENSES. ONE PASSIVE DRAWBACK VALVE INCLUDED PER CONDIMENT PRODUCT.
- FOUR THREE PRODUCT EURO TOWER CONDIMENT DISPENSER.
ALL MOUNTING HARDWARE INCLUDED.



CABINET TOP VIEW



CABINET FRONT VIEW



EURO TOWER & MOUNTING DETAIL

Z:\01\0150226.DWG / 4-21-2004

Wunder - Bar Dispensing Systems

AUTOMATIC BAR CONTROLS, INC.
790 EUBANKS DRIVE
VACAVILLE, CA 95688

PHONE: (707) 448-5151
FAX : (707) 448-1521