

MODEL: WB-CD-2-3-ET

CONDIMENT SYSTEM: 2 STATION WITH THREE PRODUCT EURO TOWER DISPENSER

JOB:

ITEM#:

NSF

PRODUCT RACK SPECIFICATIONS:

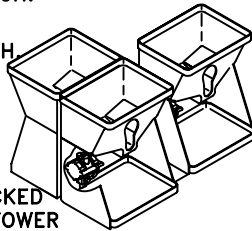
CONSTRUCTION: FORMED ACRYLONITRILE BUTADIENE STYRENE (A.B.S.) 100# CAPACITY EXTRA-HEAVY-DUTY TRAY SLIDES.

CAPACITY: THREE, THREE-GALLON CONDIMENT BAGS, THREE CONDIMENT PUMPS, THREE 100 LB LOW PRESSURE REGULATORS.

DIMENSIONS: 19" WIDE X 26" DEEP X 19" HIGH.

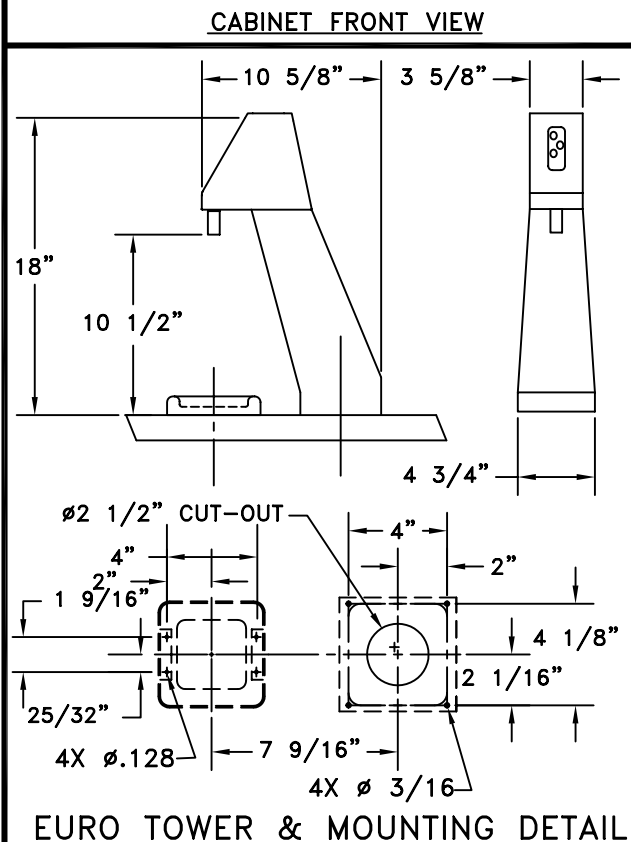
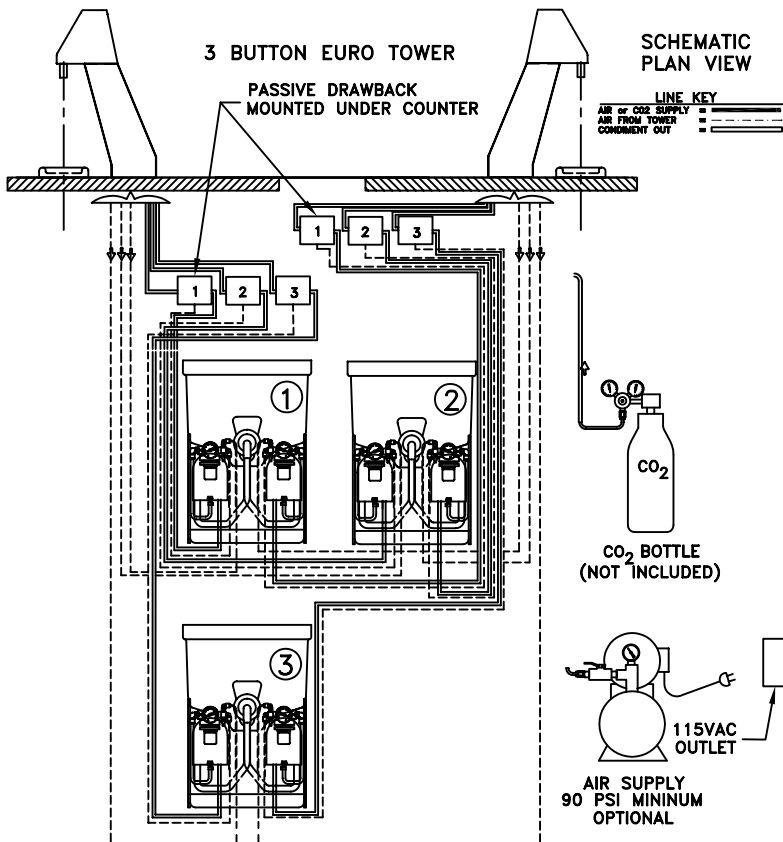
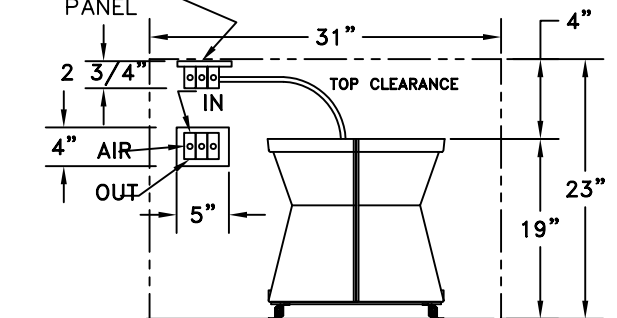
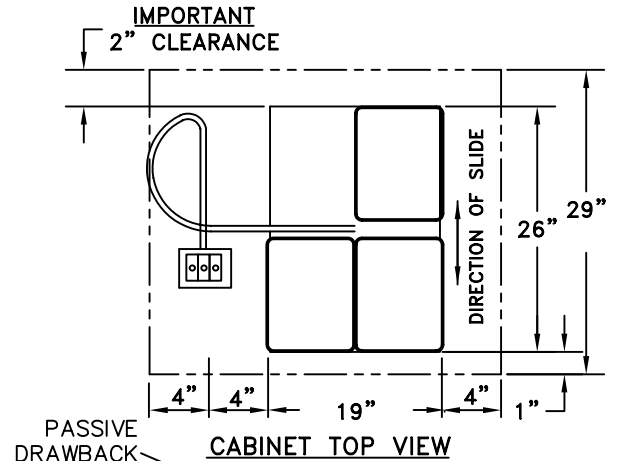
INSTALLATION: MINIMUM CABINET REQUIREMENTS 29" DEEP X 31" WIDE X 26" HIGH

WEIGHT: 65# (EMPTY)



SYSTEM FEATURES:

- FULLY FACTORY ASSEMBLED AND WET-CHECKED NON-PORTION CONTROL CONDIMENT EURO TOWER SIMPLE CONNECTION OF SYSTEM TO TOWER DISPENSER TO COMPLETE FINAL INSTALLATION.
- BUILT-IN CONDIMENT SPILL CONTAINMENT RIM AROUND BASE.
- RACK FULLY EXTENDS FOR EASY RE-LOADING OF BAGS.
- 8' OF 1/4" I.D. PRODUCT TUBING PROVIDED FOR KETCHUP, MUSTARD OR SAUCE. 8' OF 3/8" ID PRODUCT TUBING PROVIDED FOR MAYONNAISE. PLEASE SPECIFY PRODUCTS WHEN ORDERING.
- EXCLUSIVE PASSIVE DRAWBACK VALVE PREVENTS CONDIMENT DRIP BETWEEN DISPENSES. ONE PASSIVE DRAWBACK VALVE INCLUDED PER CONDIMENT PRODUCT.
- THREE PRODUCT EURO TOWER CONDIMENT DISPENSER. ALL MOUNTING HARDWARE INCLUDED.



Z:\01\0150223.DWG / 4-20-2004

Wunder - Bar Dispensing Systems

AUTOMATIC BAR CONTROLS, INC.
790 EUBANKS DRIVE
VACAVILLE, CA 95688

PHONE: (707) 448-5151
FAX : (707) 448-1521