

MODEL: **WB-CD-1-4-ET**

CONDIMENT SYSTEM: 1 STATION WITH
FOUR PRODUCT EURO TOWER DISPENSER

JOB:

ITEM#:

NSE

PRODUCT RACK SPECIFICATIONS:

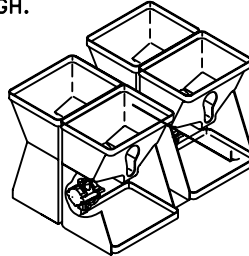
CONSTRUCTION: VACUUM FORMED ACRYLONITRILE BUTADIENE
STYRENE (A.B.S.) 100# CAPACITY
EXTRA-HEAVY-DUTY TRAY SLIDES.

CAPACITY: FOUR, THREE-GALLON CONDIMENT
BAGS, FOUR CONDIMENT PUMPS,
FOUR 100# LOW PRESSURE REGULATOR.

DIMENSIONS: 18 3/4" WIDE X 26" DEEP X 19" HIGH.

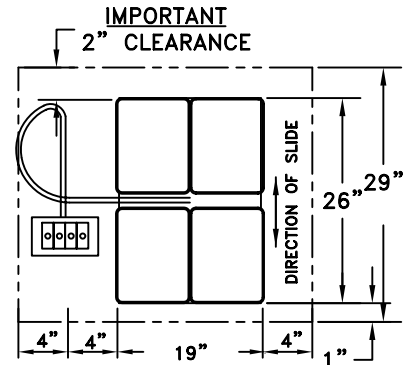
INSTALLATION: MINIMUM CABINET REQUIREMENTS
28" DEEP X 20" WIDE X 23" HIGH.

WEIGHT: 65# (EMPTY)

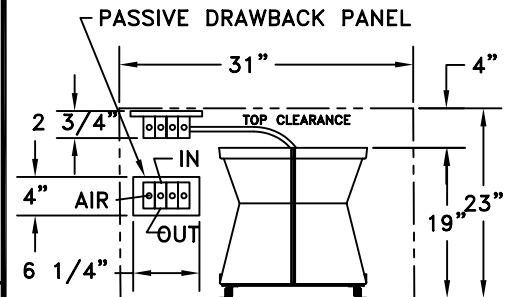


SYSTEM FEATURES:

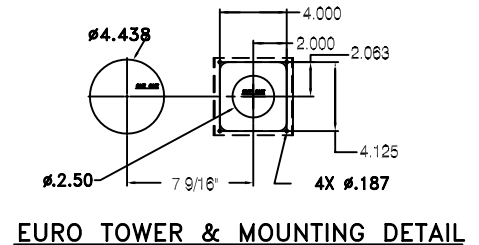
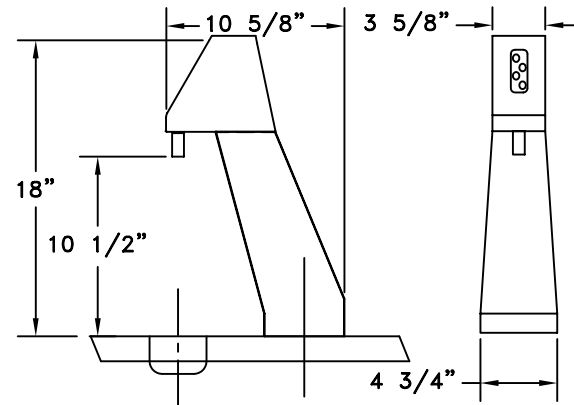
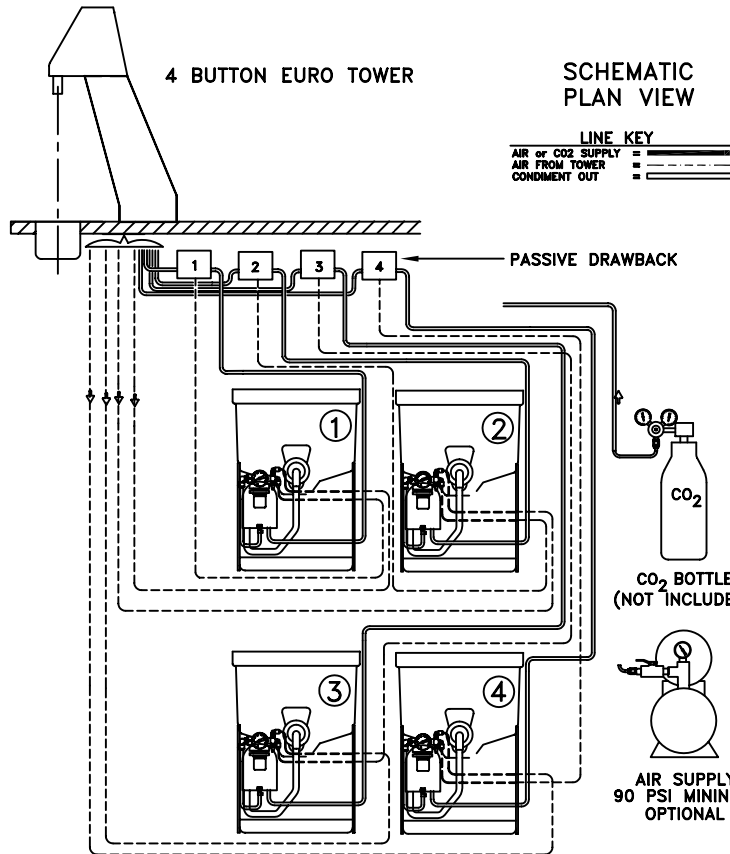
- FULLY FACTORY ASSEMBLED AND WET-CHECKED NON-PORTION CONTROL CONDIMENT EURO TOWER SIMPLE CONNECTION OF SYSTEM TO TOWER DISPENSER TO COMPLETE FINIAL INSTALLATION.
- BUILT-IN CONDIMENT SPILL CONTAINMENT RIM AROUND PERIMETER OF BASE.
- RACK FULLY EXTENDS FOR EASY RE-LOADING OF BAGS.
- 8' OF 1/4" I.D. PRODUCT TUBING PROVIDED PER CONDIMENT FOR KETCHUP, MUSTARD OR SAUCE. 8' OF 3/8" ID PRODUCT TUBING PROVIDED FOR MAYONNAISE. PLEASE SPECIFY PRODUCTS WHEN ORDERING.
- EXCLUSIVE PASSIVE DRAWBACK VALVE PREVENTS CONDIMENT DRIP BETWEEN DISPENSES. ONE PASSIVE DRAWBACK VALVE INCLUDED PER CONDIMENT PRODUCT
- FOUR PRODUCT EURO TOWER CONDIMENT DISPENSER. ALL MOUNTING HARDWARE INCLUDED.



CABINET TOP VIEW



CABINET FRONT VIEW



EURO TOWER & MOUNTING DETAIL

Z:\01\0150049B.DWG / 2-25-2004

Wunder - Bar

Dispensing Systems

AUTOMATIC BAR CONTROLS, INC.
790 EUBANKS DRIVE
VACAVILLE, CA 95688

PHONE: (707) 448-5151
FAX : (707) 448-1521