

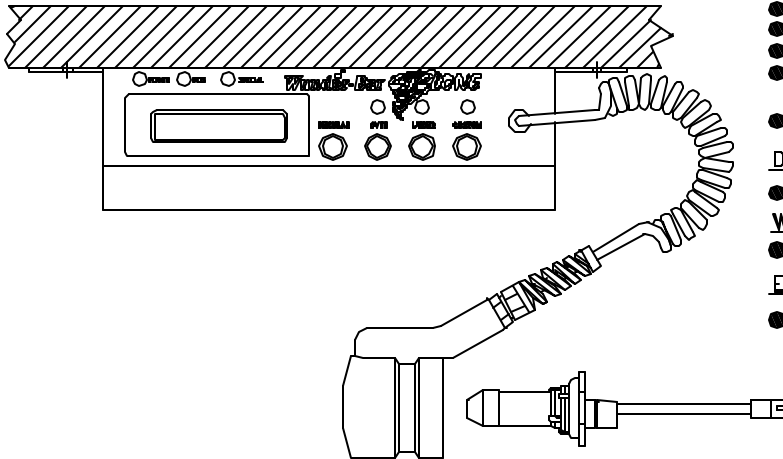
Wunder - Bar

Food & Beverage
Dispensing Systems

JOB:

ITEM#:

MODEL: WB-CYC-III,
WB-CYC-IV, WB-CYC-V
WUNDER-BAR CYCLONE
TOTAL CONTROL LIQUOR



SPECIFICATIONS:

- CONTROL UP TO 150 DIFFERENT LIQUORS
- 4 PORTION SIZES IN 2 PRICE LEVELS
- INDIVIDUAL BRAND IDENTIFICATION
- OPTIONAL P.O.S OR P.C. INTERFACE AVAILABLE
- 20 GAUGE STAINLESS STEEL HOUSING

DIMENSIONS:

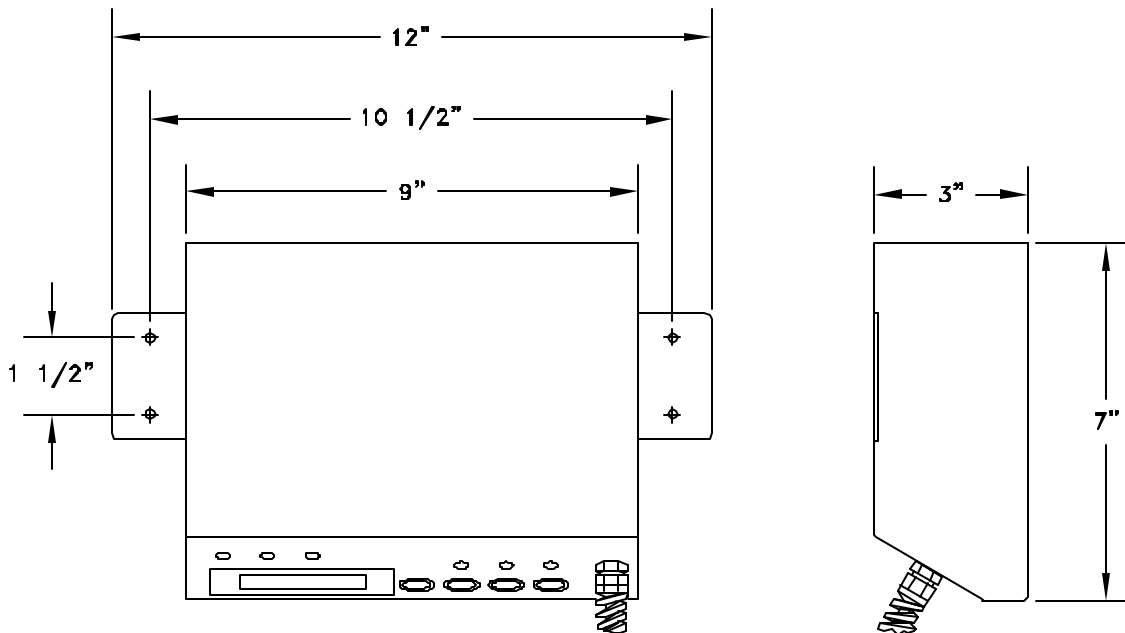
- 3" HIGH X 7" DEEP X 9" LONG

WEIGHT:

- 5 POUNDS

ELECTRICAL REQUIREMENTS:

- 120 VAC 1 AMP, 218/240 VAC .5 AMP



AUTOMATIC BAR CONTROLS, INC.
790 EUBANKS DRIVE
VACAVILLE, CA 95688

PHONE: (707) 448-5151
FAX : (707) 448-1521
WWW.WUNDERBAR.COM