

MODEL: WB-CD-1-3-SS-CT  
 STAINLESS STEEL COUNTER-TOP DISPENSER  
 ONE PRODUCT, 3-GALLON CAPACITY

JOB:

ITEM#:



COUNTER TOP SPECIFICATIONS:

CONSTRUCTION: 20 GAUGE GRAIN LINE STAINLESS STEEL

CAPACITY: ONE, 3-GALLON BAG

DIMENSIONS: 13 1/2" HIGH X 19 1/2" DEEP X  
 11 1/2" WIDE

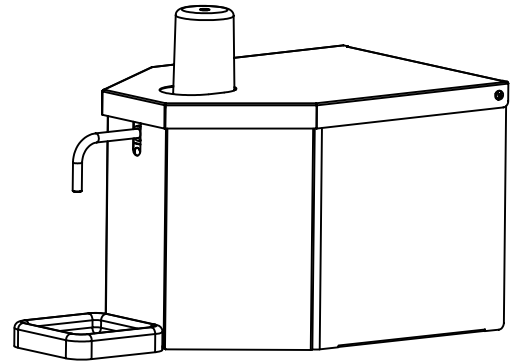
WEIGHT: 14 POUNDS (EMPTY).

\* ONE BAG-IN-BOX CONNECTOR INCLUDED PER PRODUCT.  
 (PLEASE SPECIFY ONE TYPE WHEN ORDERING)

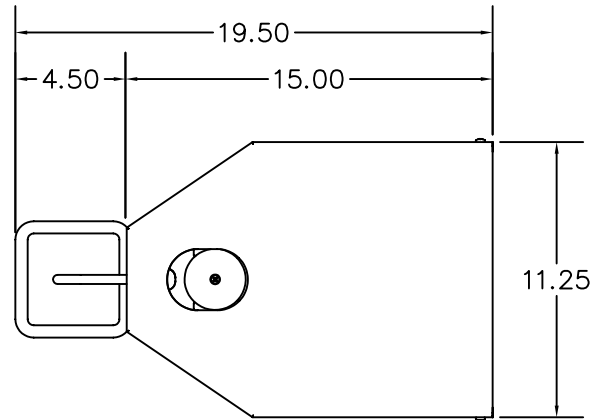
- WUNDER-BAR SERIES 100 (FOR 38mm BIB)
- CPC 95400 (FOR 38mm BIB)
- SCHOLLE 5M3 (FOR SCHOLLE PROBE BIB)
- SCHOLLE 7300-3 (FOR CLEANCLIC BIB)
- LIQUIBOX QCD-III (FOR QCD-III BIB)

SYSTEM FEATURES:

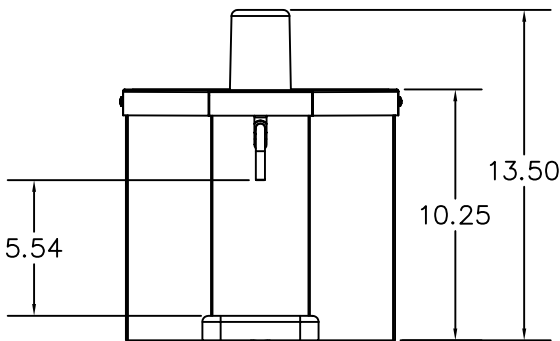
- FULLY FACTORY ASSEMBLED AND WET-CHECKED.
- ONE-PRODUCT MECHANICAL WUNDER-BAR PUMP
- NO ELECTRICITY OR CO2 REQUIRED
- ACCEPTS ALL BAG-IN-BOX CONNECTORS
- CUSTOM GRAPHICS AVAILABLE



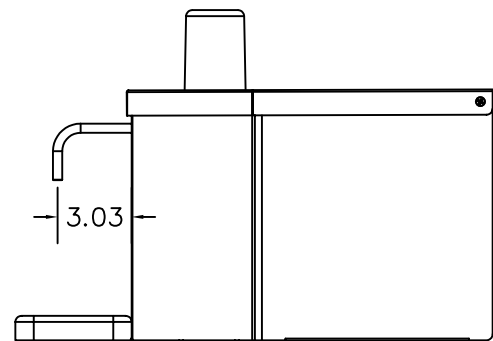
PERSPECTIVE VIEW



TOP VIEW



FRONT VIEW



SIDE VIEW

0150143B.DWG / 12-16-2004

*Wunder - Bar* Dispensing Systems

AUTOMATIC BAR CONTROLS, INC.  
 790 EUBANKS DRIVE  
 VACAVILLE, CA 95688

PHONE: (707) 448-5151  
 FAX : (707) 448-1521