

71-0021-99 (-"X")

6-FAUCET STAINLESS ONE DRAINER  
CENTER HOLE & "X" = LEFT OR RIGHT

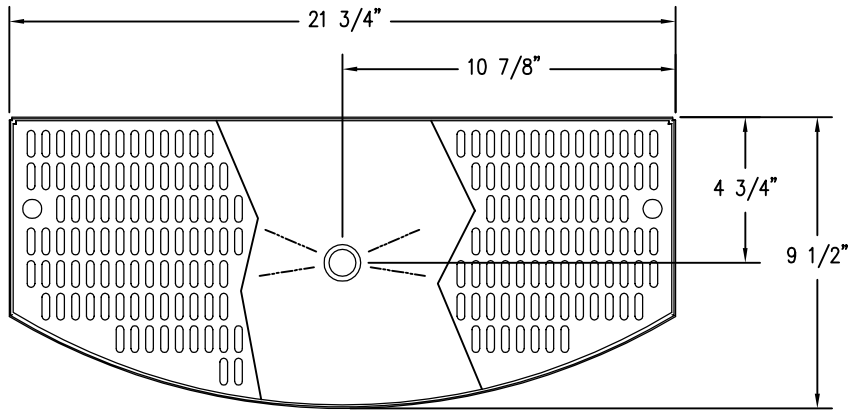
DWG NO:  
1150022

APPROVED/DATE:

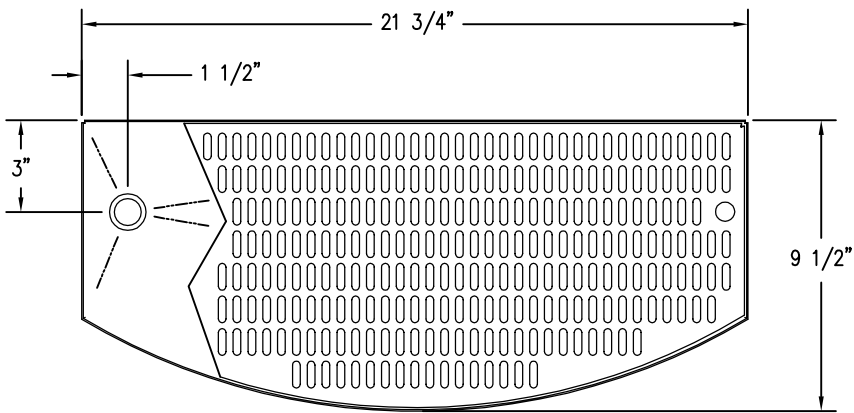
REV:  
A

JOB:

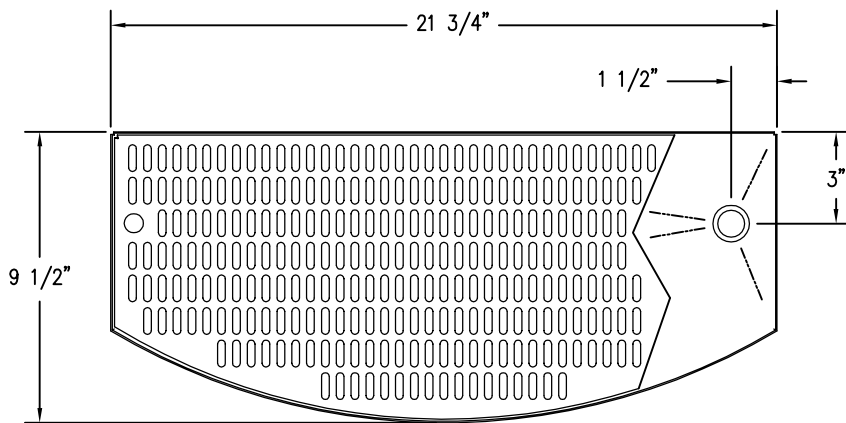
ITEM #



DRAINER: 71-0021-99



DRAINER: 71-0021-99-L

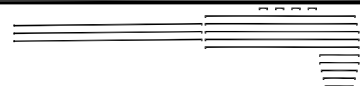


DRAINER: 71-0021-99-R

1150022A.DWG / 6-23-2008

# Wunder-Bar

Dispensing Systems



AUTOMATIC BAR CONTROLS, INC.  
790 EUBANKS DRIVE  
VACAVILLE, CA 95688

WWW.WUNDERBAR.COM

TOLL FREE : (800) 722-6738  
PHONE: (707) 448-5151  
FAX : (707) 448-1521