

MODEL: WBCD13SSRCTBK

1 PRODUCT CONDIMENT REMOTE COUNTER TOP TOWER:

JOB:

ITEM#:



PRODUCT SPECIFICATIONS:

STAINLESS STEEL FINISH WITH BURGER KING LOGO

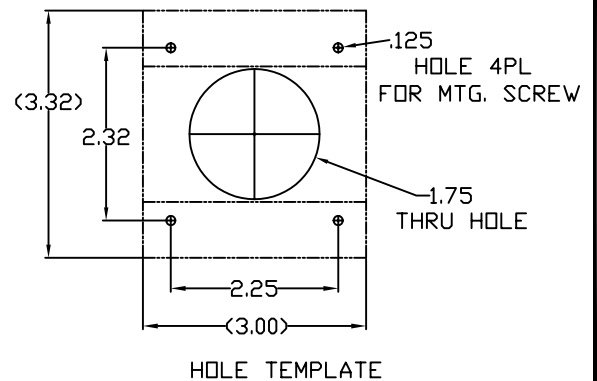
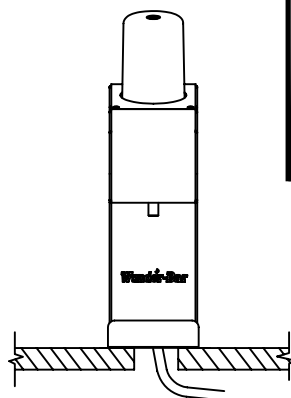
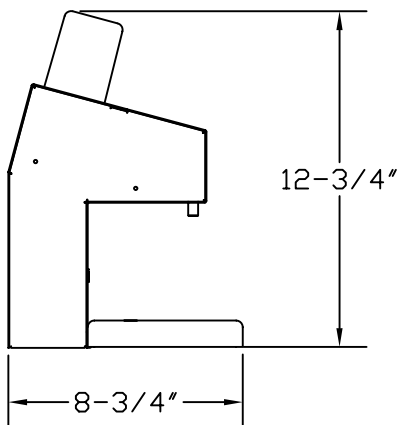
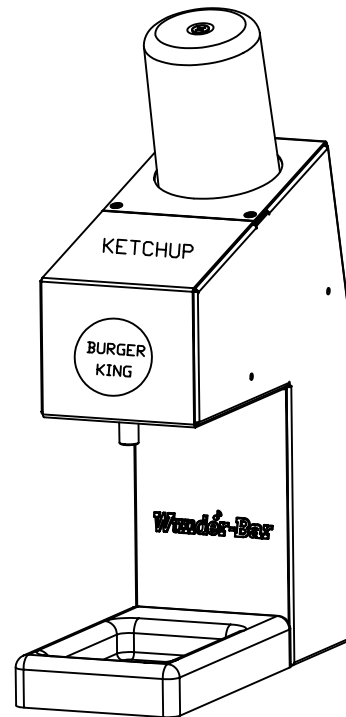
- INCLUDES ONE WUNDER-BAR SERIES 100 CONNECTOR (FOR 38mm BIB)
- BAG HOLDER & SANITIZING TANK ASSEMBLY SOLD SEPARATELY

DIMENSIONS: 3-3/8" WIDE X 8-3/4" DEEP X 12-3/4" HIGH

WEIGHT: 10 LBS. (EMPTY)

SYSTEM FEATURES:

- IN PLACE CLEANABLE
- STAINLESS STEEL CONSTRUCTION
- COMPACT TOWER WITH DRIP PAN
- NO ELECTRICITY OR PROPELLANT REQUIRED
- 3/4 OZ NOMINAL POUR SIZE PER FULL PUMP STROKE



0150020A.DWG / 02-16-2004

Wunder-Bar

Dispensing Systems

AUTOMATIC BAR CONTROLS, INC.
790 EUBANKS DRIVE
VACAVILLE, CA 95688

PHONE: (707) 448-5151
FAX : (707) 448-1521