

**MODEL: WB-BTT-X-Y**  
**WUNDER-BAR, BEER T TOWER**

**JOB:**

**ITEM#:**

X= SS FOR GRAINLINE STAINLESS STEEL  
 BR FOR POLISHED BRASS  
 Y= NUMBER OF PRODUCTS - 3 TO 8 BEERS

**FEATURES:**

CONSTRUCTION : 304 STAINLESS STEEL  
 OR POLISHED BRASS

**BEER:**

1/4" ID SHANKS WITH 7-FOOT 3/16" ID RESTRICTION TUBES WITH  
 ONE STAINLESS STEEL 3/16" X 3/8" UNION PER BEER AND CLAMPS

**GLYCOL:**

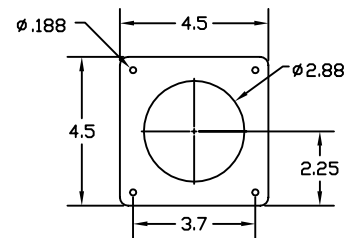
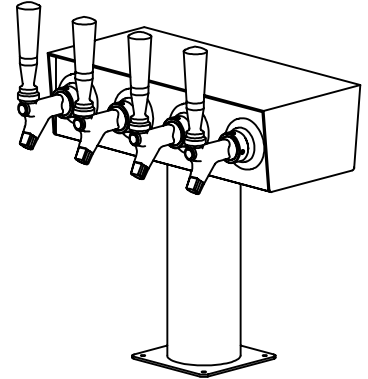
DIRECT - SHANK COOLING WITH 7-FOOT 3/8" ID TUBES WITH  
 3/8" BARBED UNIONS

**MOUNTING:**

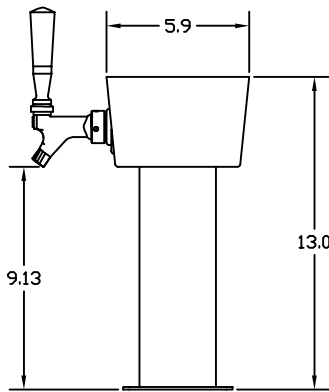
SQUARE FLANGE MOUNTING PLATE WITH 3/16" MOUNTING HOLES

**OPTIONAL:**

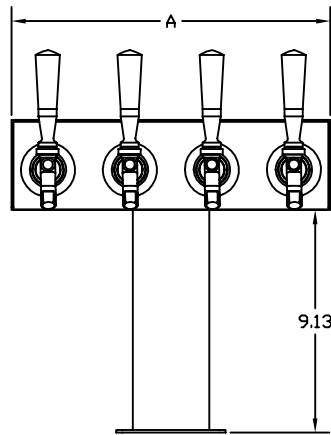
WINE FAUCET(S), DRAINERS, STAINLESS ONE FAUCET AND  
 SHANK UPGRADE



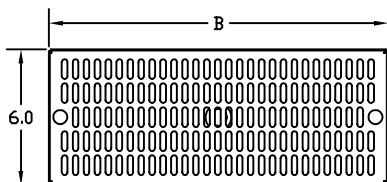
**MOUNTING DETAIL**



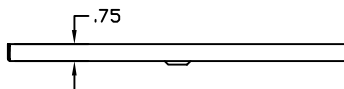
**END VIEW**



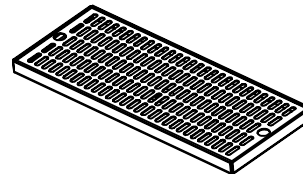
**FRONT VIEW**



**TOP VIEW**



**ELEVATION VIEW**



**ISO VIEW**

**TOWER LENGTH**

NUMBER OF FAUCETS	"A" LENGTH
3	9.125
4	12.125
5	15.125
6	18.125
8	24.596

**OPTIONAL SURFACE MOUNT DRAINERS**

NUMBER OF FAUCETS	"B" LENGTH	MODEL
3	15"	71-0015-00
4	15"	71-0015-00
5	21"	71-0021-00
6	21"	71-0021-00
8	27"	71-0027-00

\* DRAINERS INCLUDE ONE 1/2" MPT DRAIN FITTING

1150005C.DWG / 4-14-08

**Wunder-Bar**

**Dispensing Systems**

AUTOMATIC BAR CONTROLS, INC.  
 790 EUBANKS DRIVE  
 VACAVILLE, CA 95688

WWW.WUNDERBAR.COM

TOLL FREE : (800) 722-6738  
 PHONE: (707) 448-5151  
 FAX : (707) 448-1521