

# Wunder - Bar

Food & Beverage  
Dispensing Systems

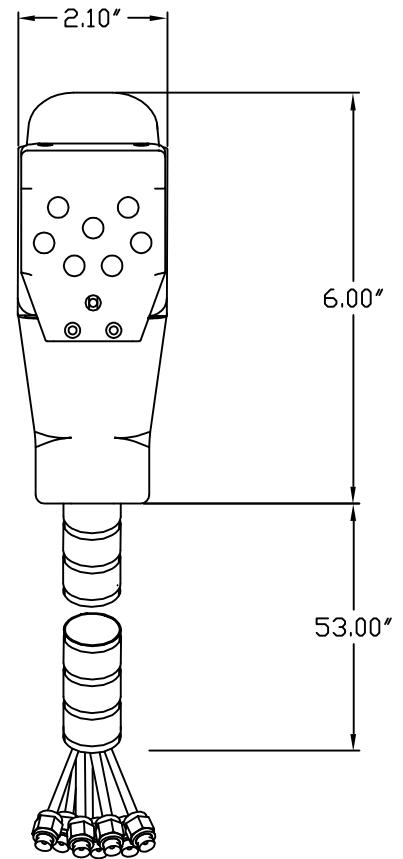
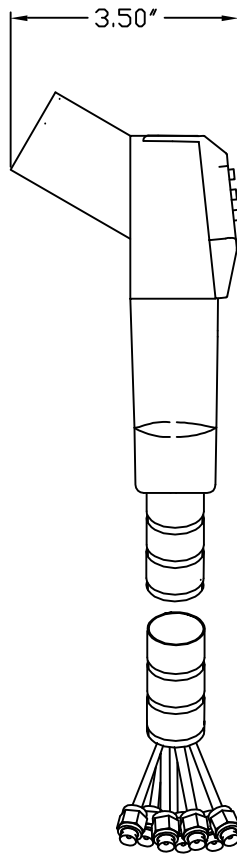
JOB:

ITEM#:

MODEL:

WB-PMX-7

7 BUTTON, PRE-MIX  
DISPENSER, WITHOUT  
ICE SHIELD



AUTOMATIC BAR CONTROLS, INC.  
790 EUBANKS DRIVE  
VACAVILLE, CA 95688

PHONE: (707) 448-5151  
FAX : (707) 448-1521  
WWW.WUNDERBAR.COM