

Wunder - Bar

Food & Beverage
Dispensing Systems

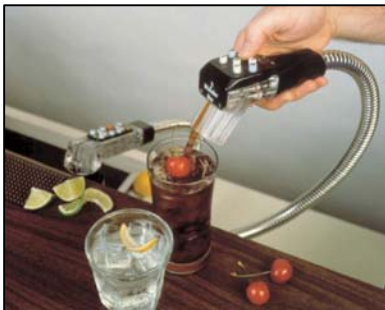
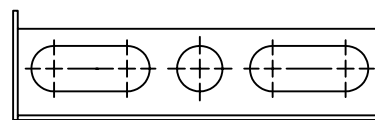
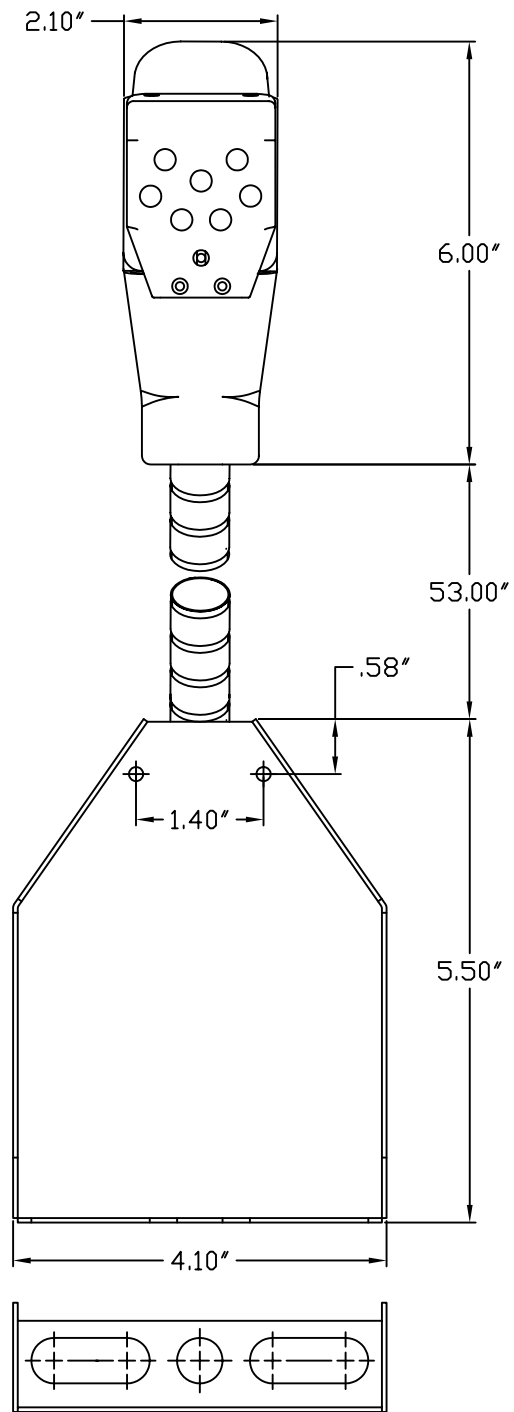
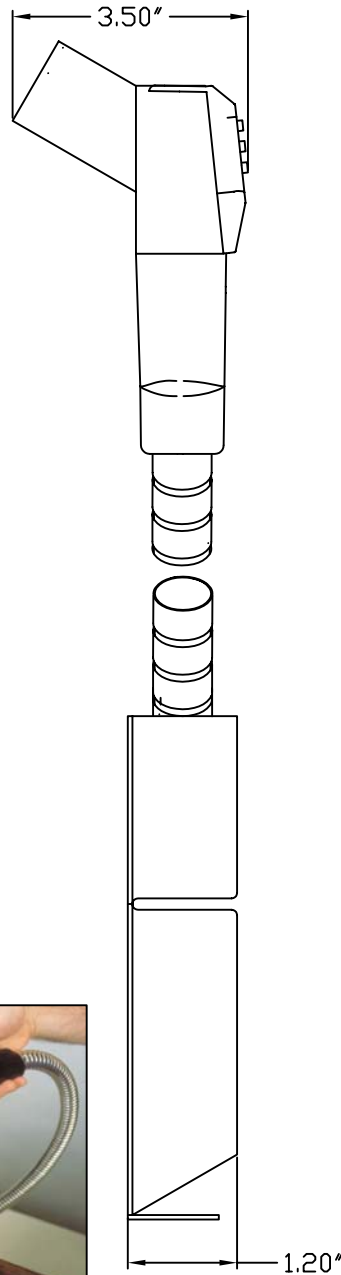
JOB:

ITEM#:

MODEL:

WB-PMX-7

7 BUTTON, PRE-MIX
DISPENSER
WITH ICE SHIELD



AUTOMATIC BAR CONTROLS, INC.
790 EUBANKS DRIVE
VACAVILLE, CA 95688

PHONE: (707) 448-5151
FAX : (707) 448-1521
WWW.WUNDERBAR.COM