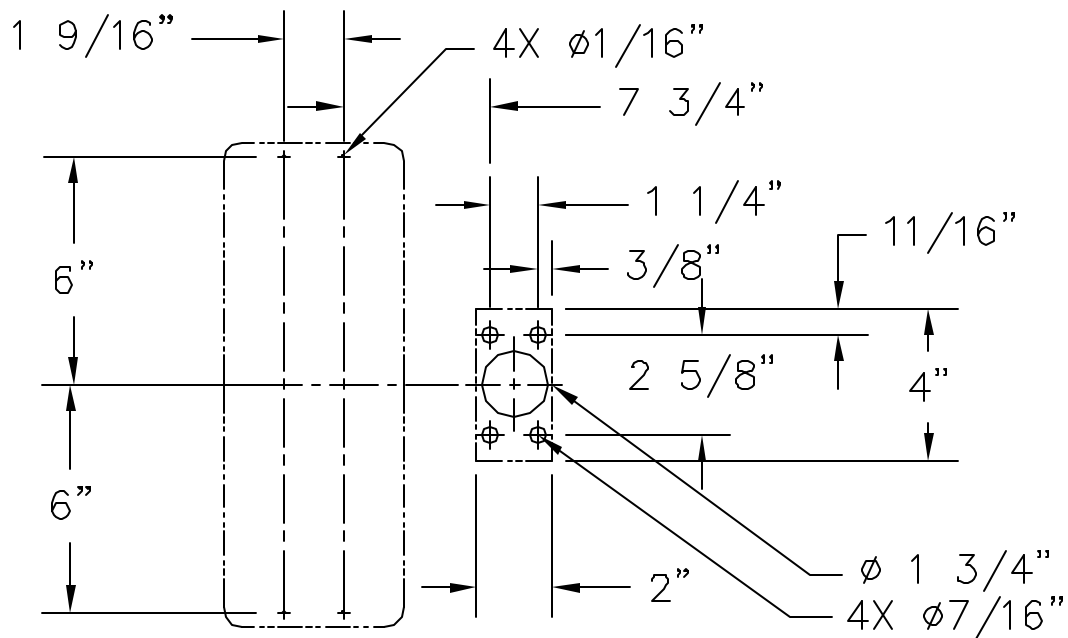
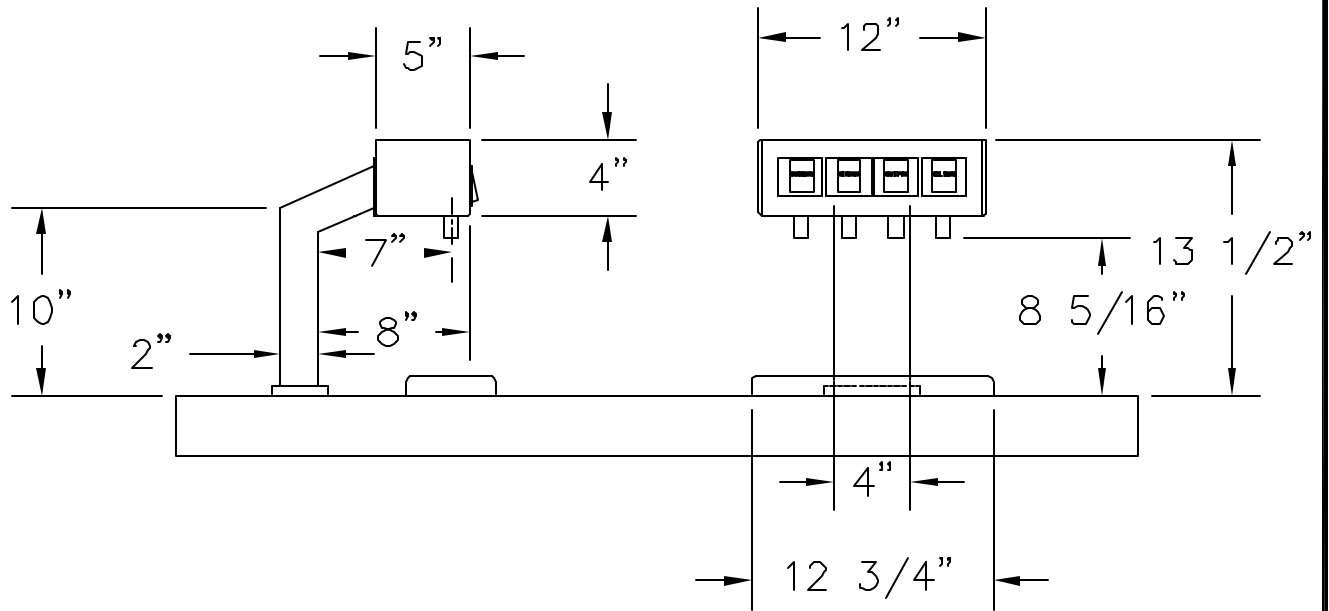


MODEL: T-TOWER- 4 PRODUCT  
 OVERALL DIMENSIONS AND MOUNTING DETAIL

JOB:

ITEM#:



T-TOWER & MOUNTING DETAIL

Z:\01\0150099A.DWG / 09-26-2000 / 9:34:57 AM

**Wunder - Bar**

*Dispensing Systems*

AUTOMATIC BAR CONTROLS, INC.  
 790 EUBANKS DRIVE  
 VACAVILLE, CA 95688

PHONE: (707) 448-5151  
 FAX : (707) 448-1521