

JOB:

ITEM#:



MODEL:

WB-SCD-6-3-GT

SAUCE AND CONDIMENT SYSTEM:
6 ONE BUTTON GOOSENECK TOWERS
SERVING 3 DIFFERENT PRODUCTS

PRODUCT RACK SPECIFICATIONS:

CONSTRUCTION: VACUUM FORMED ACRYLONITRILE BUTADIENE STYRENE (A.B.S.) 100# CAPACITY EXTRA-HEAVY-DUTY TRAY SLIDES.

CAPACITY: THREE, THREE-GALLON CONDIMENT BAGS, THREE CONDIMENT PUMPS, THREE 100# LOW PRESSURE REGULATORS.

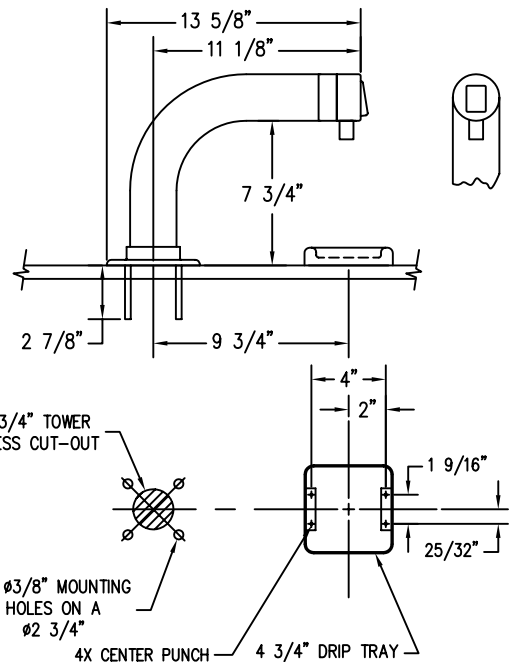
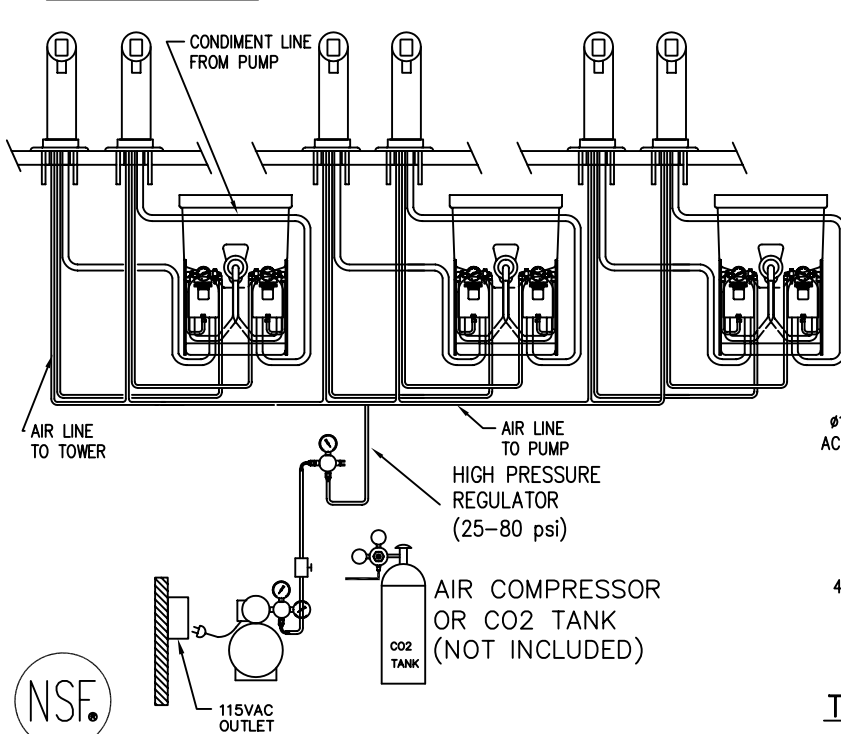
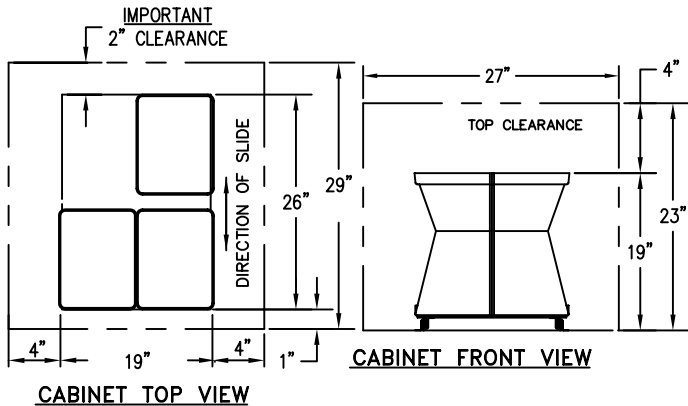
DIMENSIONS: 19" WIDE X 26" DEEP X 19" HIGH.

INSTALLATION: MINIMUM CABINET REQUIREMENTS 27" WIDE X 29" DEEP X 23" HIGH.

WEIGHT: 65# (EMPTY)

SYSTEM FEATURES:

- FULLY FACTORY ASSEMBLED AND WET-CHECKED WITH THREE, ONE PRODUCT, NON-PORTION CONTROL CONDIMENT GOOSENECK TOWERS. SIMPLE CONNECTION OF SYSTEM TO GOOSENECK TOWER DISPENSERS TO COMPLETE FINAL INSTALLATION.
- BUILT-IN CONDIMENT SPILL CONTAINMENT RIM AROUND PERIMETER OF CONDIMENT RACK BASE.
- RACK FULLY EXTENDS FOR EASY RELOADING OF CONDIMENT BAG.
- 8' OF 1/4" I.D. PRODUCT TUBING PROVIDED PER CONDIMENT FOR KETCHUP, MUSTARD OR SAUCE . 8" OF 3/8" ID PRODUCT TUBING PROVIDED FOR MAYONNAISE. PLEASE SPECIFY PRODUCT.
- THREE, ONE PRODUCT TOWER TYPE CONDIMENT DISPENSERS ALL MOUNTING HARDWARE AND ABS DRIP TRAY INCLUDED.



Z:\01\0150228.DWG\5-3-04



AUTOMATIC BAR CONTROLS, INC.
790 EUBANKS DRIVE
VACAVILLE, CA 95688

PHONE: (707) 448-5151
FAX : (707) 448-1521
WWW.WUNDERBAR.COM