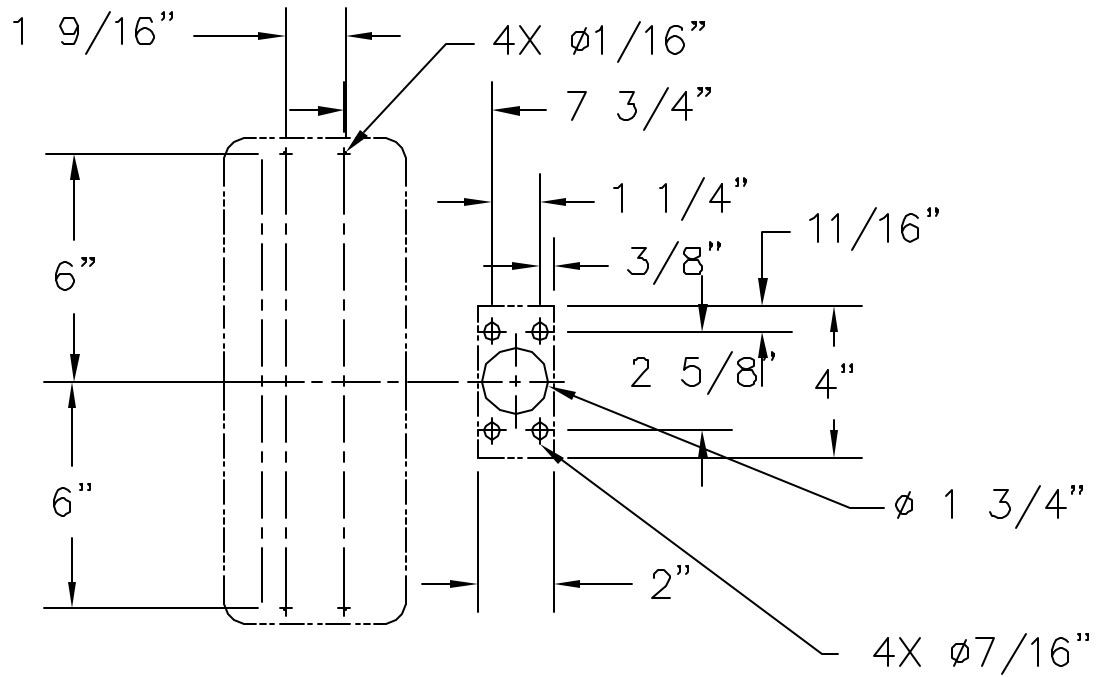
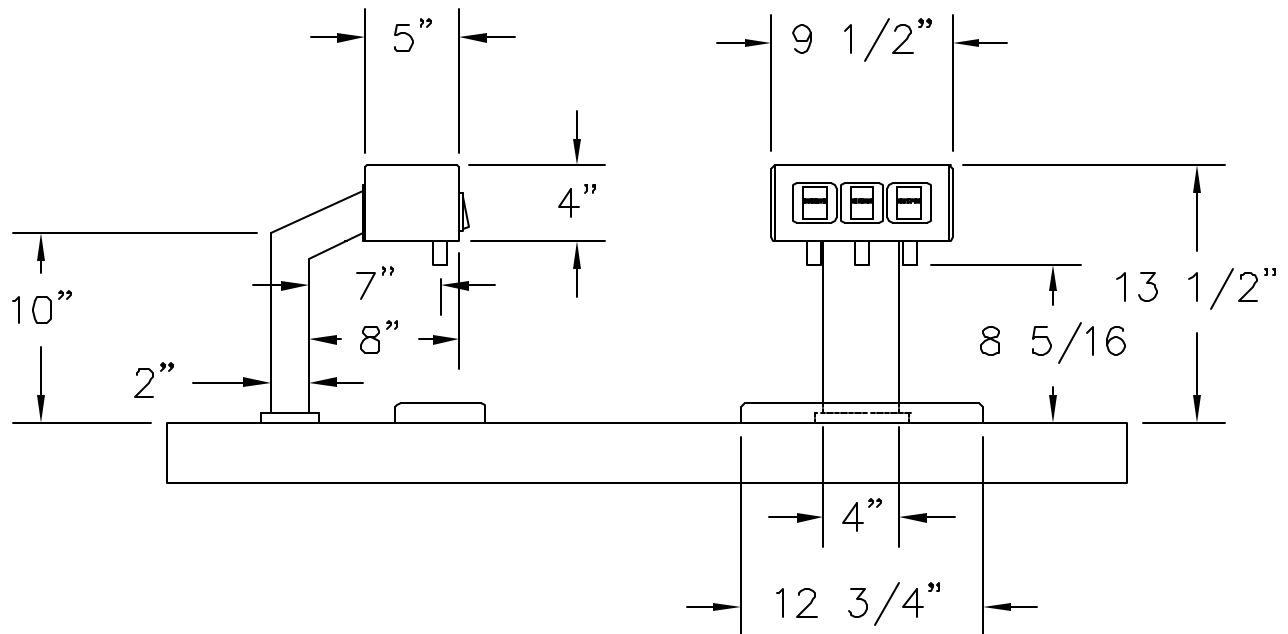


MODEL: T-TOWER- 3 PRODUCT
OVERALL DIMENSIONS AND MOUNTING DETAIL

JOB:

ITEM#:



T-TOWER & MOUNTING DETAIL

Z:\01\0150141A.DWG / 09-26-2000 / 9:20:31 AM

Wunder - Bar

Dispensing Systems

AUTOMATIC BAR CONTROLS, INC.
790 EUBANKS DRIVE
VACAVILLE, CA 95688

PHONE: (707) 448-5151
FAX : (707) 448-1521