

**MODEL: WB-CD-3-1-(X)\*-RCT**  
**3 PRODUCT CONDIMENT REMOTE COUNTER TOP TOWER:**  
**WITH 1-1/2 GALLON BAG HOLDER**  
 \* SEE SPECIFICATION NOTES FOR (X)

**JOB:**



**ITEM#:**

**PRODUCT SPECIFICATIONS:**

(X) TOWER FINISH: SS = STAINLESS STEEL  
 P = PAINTED \* = COLOR: R = RED  
 BL = BLACK G = GREEN  
 O = ORANGE Y = YELLOW  
 P = PURPLE B = BLUE  
 W = WHITE BR = BROWN

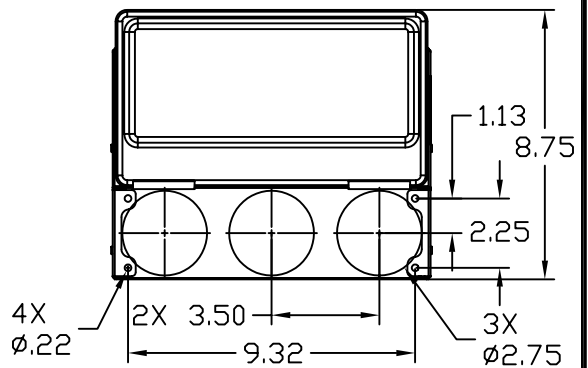
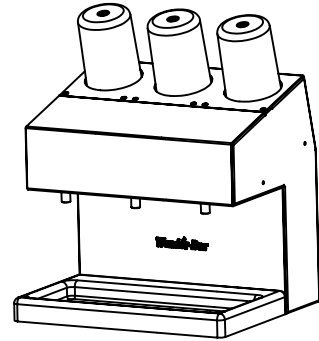
**CAPACITY:** THREE 1 TO 1-1/2 GALLON BAG-IN-BOX  
**DIMENSIONS:** 10-1/8" WIDE X 8-3/4" DEEP X 12-3/4" HIGH  
**WEIGHT:** 20 LBS. (EMPTY)

\* ONE BAG-IN-BOX CONNECTOR INCLUDED PER PRODUCT.  
 (PLEASE SPECIFY ONE TYPE WHEN ORDERING)

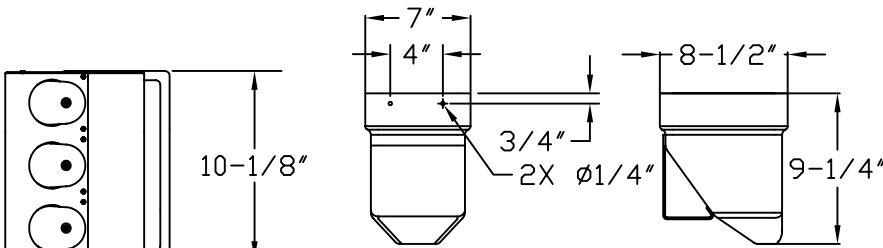
- CPC 95400 (FOR 38mm BIB)
- SCHOLLE 5M3 (FOR SCHOLLE PROBE BIB)
- SCHOLLE 7300-3 (FOR CLEANCLIC BIB)
- LIQUIBOX QCD-III (FOR QCD-III BIB)
- WUNDER-BAR 16mm CROVAC ADAPTER
- WUNDER-BAR 18mm CROVAC ADAPTER
- WUNDER-BAR SERIES 100 (FOR 38mm BIB)

**SYSTEM FEATURES:**

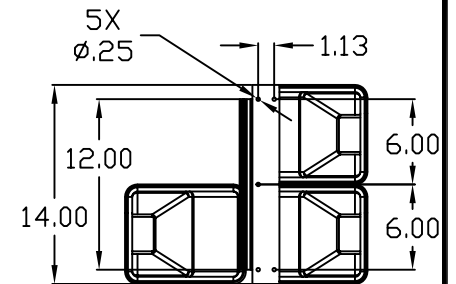
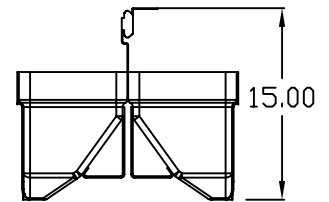
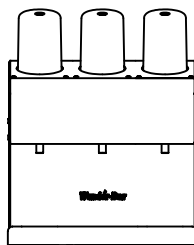
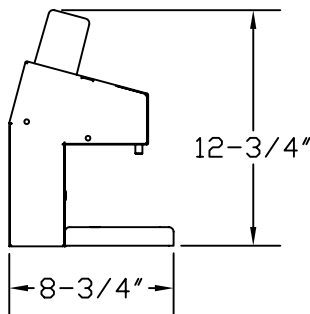
- IN PLACE CLEANABLE
- STAINLESS STEEL CONSTRUCTION
- 1-1/2 GALLON PRODUCT HOLDER BELOW COUNTER
- COMPACT TOWER WITH DRIP PAN
- NO ELECTRICITY OR PROPELLANT REQUIRED
- 3/4 OZ NOMINAL POUR SIZE PER FULL PUMP STROKE



**MOUNTING DETAIL:**



**1-1/2 GALLON BAG HOLDER**



**OPTIONAL 12" SLIDE MOUNT**

0150302D.DWG / 08-23-2004

**Wunder-Bar** Dispensing Systems

**AUTOMATIC BAR CONTROLS, INC.**  
 790 EUBANKS DRIVE  
 VACAVILLE, CA 95688

**PHONE: (707) 448-5151**  
**FAX : (707) 448-1521**