

JOB:

ITEM#:



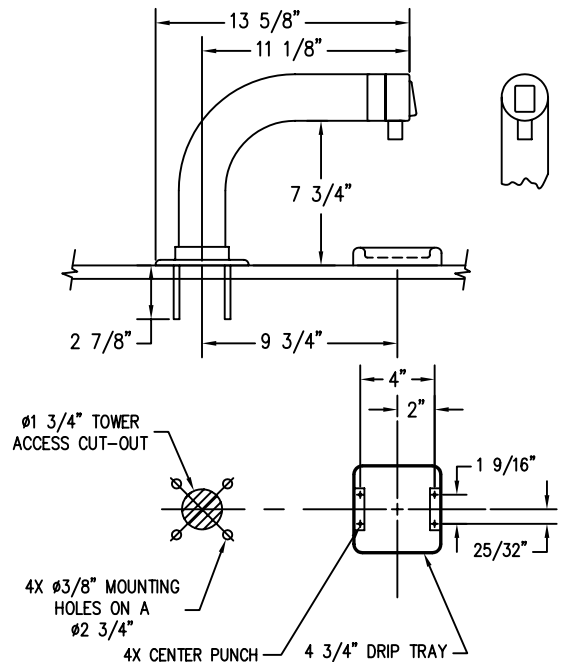
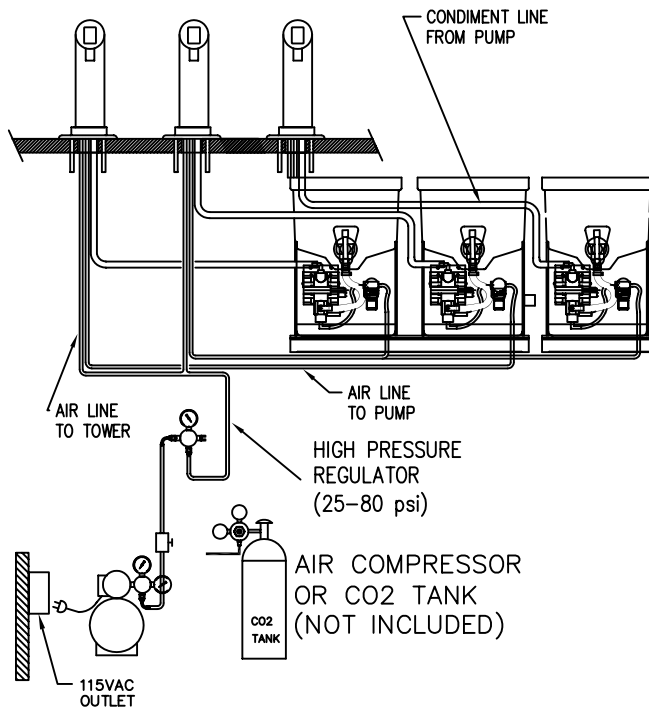
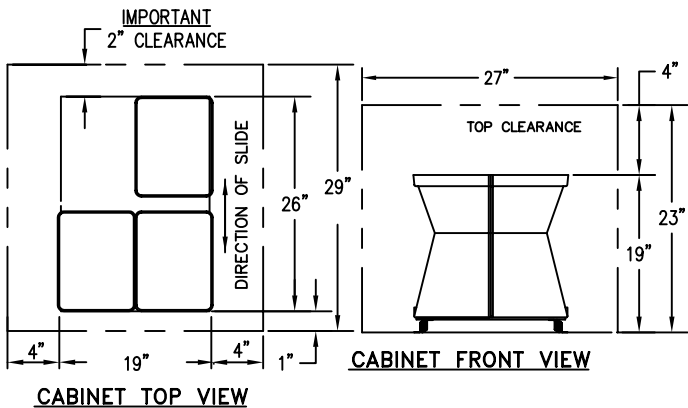
MODEL:
WB-SCD-3-3-GT
SAUCE AND CONDIMENT DISPENSER:
3 SINGLE BUTTON GOOSENECK
TOWERS. EACH TOWER SERVING A
DIFFERENT PRODUCT.

PRODUCT RACK SPECIFICATIONS:

- CONSTRUCTION:** VACUUM FORMED ACRYLONITRILE BUTADIENE STYRENE (A.B.S.) 100# CAPACITY EXTRA-HEAVY-DUTY TRAY SLIDES.
- CAPACITY:** THREE, THREE-GALLON CONDIMENT BAGS, THREE CONDIMENT PUMPS, THREE 100# LOW PRESSURE REGULATORS.
- DIMENSIONS:** 19" WIDE X 26" DEEP X 19" HIGH.
- INSTALLATION:** MINIMUM CABINET REQUIREMENTS 27" WIDE X 29" DEEP X 23" HIGH.
- WEIGHT:** 65# (EMPTY)

SYSTEM FEATURES:

- FULLY FACTORY ASSEMBLED AND WET-CHECKED WITH THREE, ONE PRODUCT, NON-PORTION CONTROL CONDIMENT GOOSENECK TOWERS. SIMPLE CONNECTION OF SYSTEM TO GOOSENECK TOWER DISPENSERS TO COMPLETE FINAL INSTALLATION.
- BUILT-IN CONDIMENT SPILL CONTAINMENT RIM AROUND PERIMETER OF CONDIMENT RACK BASE.
- RACK FULLY EXTENDS FOR EASY RELOADING OF CONDIMENT BAG.
- 8' OF 1/4" I.D. PRODUCT TUBING PROVIDED PER CONDIMENT FOR KETCHUP, MUSTARD OR SAUCE . 8" OF 3/8" ID PRODUCT TUBING PROVIDED FOR MAYONNAISE. PLEASE SPECIFY PRODUCT.
- THREE, ONE PRODUCT TOWER TYPE CONDIMENT DISPENSERS ALL MOUNTING HARDWARE AND ABS DRIP TRAY INCLUDED.



Z:\01\0150093C.DWG\4-22-04



AUTOMATIC BAR CONTROLS, INC.
790 EUBANKS DRIVE
VACAVILLE, CA 95688

PHONE: (707) 448-5151
FAX : (707) 448-1521
WWW.WUNDERBAR.COM