

# Wunder - Bar

Food & Beverage  
Dispensing Systems

JOB:

ITEM#:



MODEL:

WB-SCD-4-2-GT

SAUCE AND CONDIMENT SYSTEM:  
2 STATION, WITH TWO ONE BUTTON  
GOOSENECK TOWERS PER STATION  
SERVING 2 DIFFERENT PRODUCTS

PRODUCT RACK SPECIFICATIONS:

**CONSTRUCTION:** VACUUM FORMED ACRYLONITRILE BUTADIENE STYRENE (A.B.S.) 100# CAPACITY EXTRA-HEAVY-DUTY TRAY SLIDES.

**CAPACITY:** FOUR, THREE-GALLON CONDIMENT BAGS, FOUR CONDIMENT PUMPS, TWO 100# LOW PRESSURE REGULATORS.

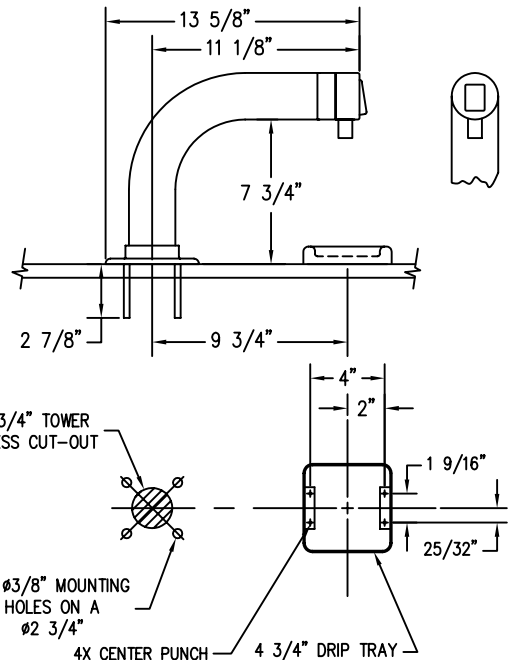
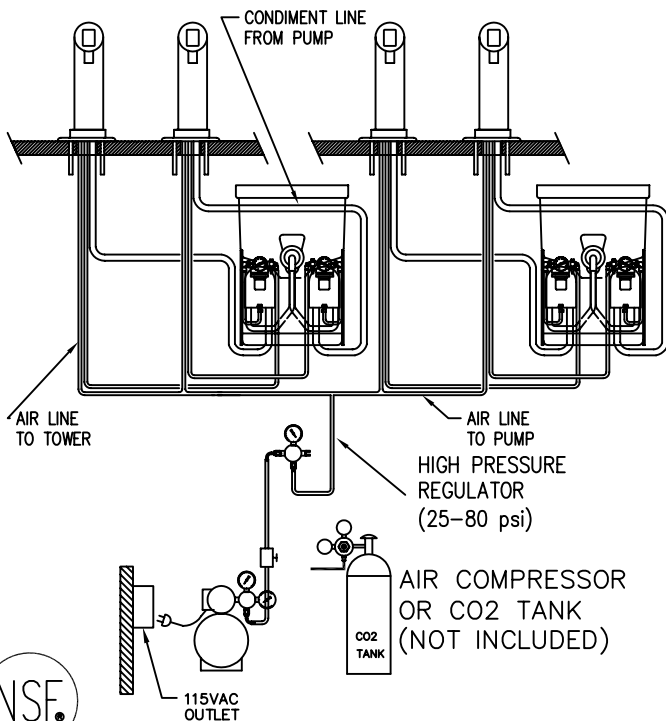
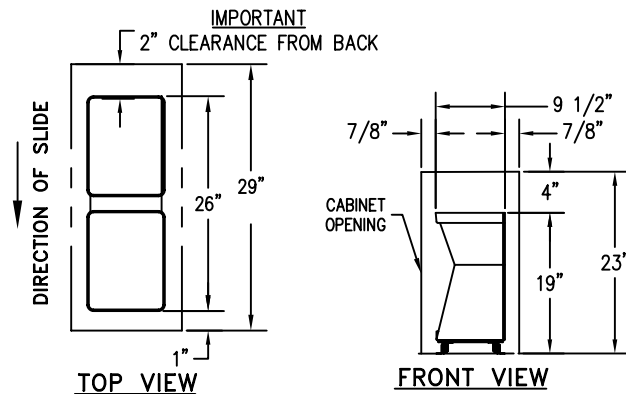
**DIMENSIONS:** 9 1/2" WIDE X 26" DEEP X 19" HIGH.

**INSTALLATION:** MINIMUM CABINET REQUIREMENTS 11 1/4" WIDE X 29" DEEP X 23" HIGH.

**WEIGHT:** 45# (EMPTY)

SYSTEM FEATURES:

- FULLY FACTORY ASSEMBLED AND WET-CHECKED WITH FOUR, ONE PRODUCT, NON-PORTION CONTROL CONDIMENT GOOSENECK TOWERS. SIMPLE CONNECTION OF SYSTEM TO GOOSENECK TOWER DISPENSERS TO COMPLETE FINAL INSTALLATION.
- BUILT-IN CONDIMENT SPILL CONTAINMENT RIM AROUND PERIMETER OF CONDIMENT RACK BASE.
- RACK FULLY EXTENDS FOR EASY RELOADING OF CONDIMENT BAG.
- 8' OF 1/4" I.D. PRODUCT TUBING PROVIDED PER CONDIMENT FOR KETCHUP, MUSTARD OR SAUCE . 8" OF 3/8" ID PRODUCT TUBING PROVIDED FOR MAYONNAISE. PLEASE SPECIFY PRODUCT.
- FOUR, ONE PRODUCT TOWER TYPE CONDIMENT DISPENSERS ALL MOUNTING HARDWARE AND ABS DRIP TRAY INCLUDED.



TUBE TOWER & MOUNTING DETAIL

Z:\01\0150172A.DWG\4-22-04



AUTOMATIC BAR CONTROLS, INC.  
790 EUBANKS DRIVE  
VACAVILLE, CA 95688

PHONE: (707) 448-5151  
FAX : (707) 448-1521  
WWW.WUNDERBAR.COM