

MODEL: WB-CD-2-1-(X)*-RCT
2 PRODUCT CONDIMENT REMOTE COUNTER TOP TOWER:
WITH 1-1/2 GALLON BAG HOLDER
 * SEE SPECIFICATION NOTES FOR (X)

JOB:



ITEM#:

PRODUCT SPECIFICATIONS:

(X) TOWER FINISH: SS = STAINLESS STEEL
 P = PAINTED * = COLOR: R = RED
 BL = BLACK G = GREEN
 O = ORANGE Y = YELLOW
 P = PURPLE B = BLUE
 W = WHITE BR = BROWN

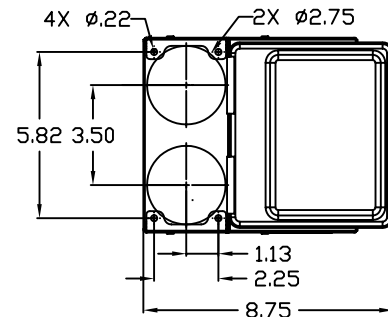
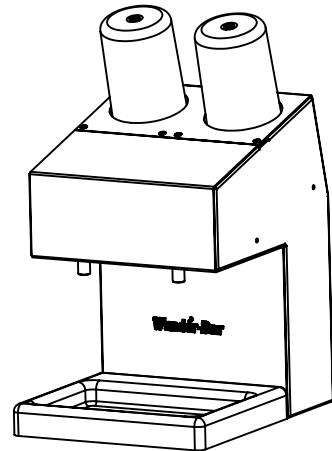
CAPACITY: TWO 1 TO 1-1/2 GALLON BAG-IN-BOX
DIMENSIONS: 6-3/4" WIDE X 8-3/4" DEEP X 12-3/4" HIGH
WEIGHT: 15 LBS. (EMPTY)

* ONE BAG-IN-BOX CONNECTOR INCLUDED PER PRODUCT.
 (PLEASE SPECIFY ONE TYPE WHEN ORDERING)

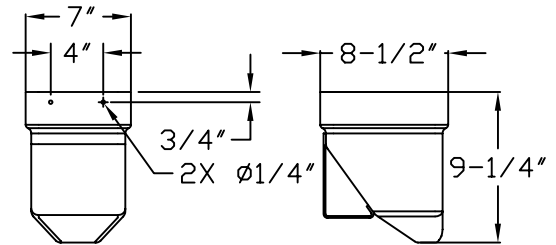
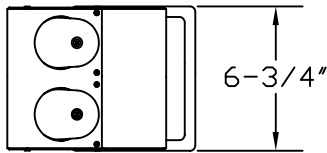
- CPC 95400 (FOR 38mm BIB)
- SCHOLLE 5M3 (FOR SCHOLLE PROBE BIB)
- SCHOLLE 7300-3 (FOR CLEANCLIC BIB)
- LIQUIBOX QCD-III (FOR QCD-III BIB)
- WUNDER-BAR 16mm CROVAC ADAPTER
- WUNDER-BAR 18mm CROVAC ADAPTER
- WUNDER-BAR SERIES 100 (FOR 38mm BIB)

SYSTEM FEATURES:

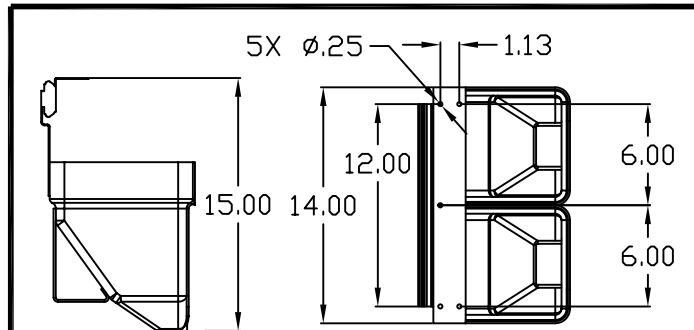
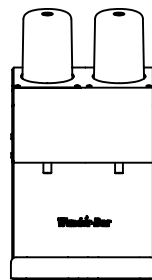
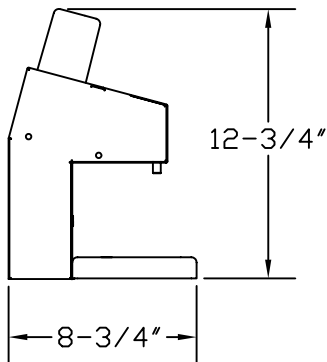
- IN PLACE CLEANABLE
- STAINLESS STEEL CONSTRUCTION
- 1-1/2 GALLON PRODUCT HOLDER BELOW COUNTER
- COMPACT TOWER WITH DRIP PAN
- NO ELECTRICITY OR PROPELLANT REQUIRED
- 3/4 OZ NOMINAL POUR SIZE PER FULL PUMP STROKE



MOUNTING DETAIL:



1-1/2 GALLON BAG HOLDER



OPTIONAL 12" SLIDE MOUNT

0150301D.DWG / 08-23-2004

Wunder-Bar Dispensing Systems

AUTOMATIC BAR CONTROLS, INC.
 790 EUBANKS DRIVE
 VACAVILLE, CA 95688

PHONE: (707) 448-5151
FAX : (707) 448-1521