

MODEL: WB-CD-1-3-(X)*-RCT-R

1 PRODUCT PARTICULATE COUNTER TOP TOWER:

WITH 3 GALLON BAG HOLDER

* SEE SPECIFICATION NOTES FOR (X)

JOB:

ITEM#:

PRODUCT SPECIFICATIONS:

(X) TOWER FINISH: SS = STAINLESS STEEL

P = PAINTED	* = COLOR:	R = RED
	BL = BLACK	G = GREEN
	O = ORANGE	Y = YELLOW
	P = PURPLE	B = BLUE
	W = WHITE	BR = BROWN

CAPACITY: ONE 3-GALLON BAG-IN-BOX

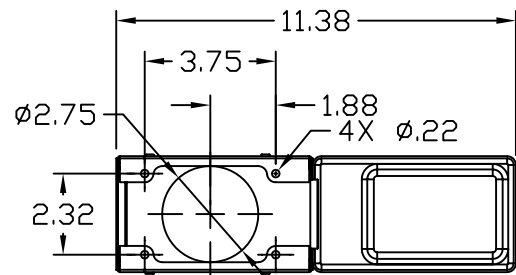
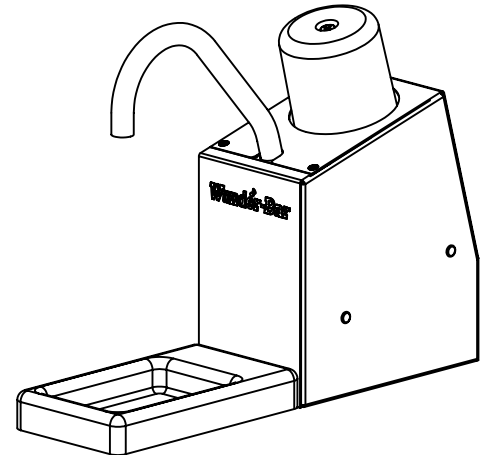
DIMENSIONS: 3-5/16" WIDE X 11-3/8" DEEP X 9" HIGH

WEIGHT: 7 LBS. (EMPTY)

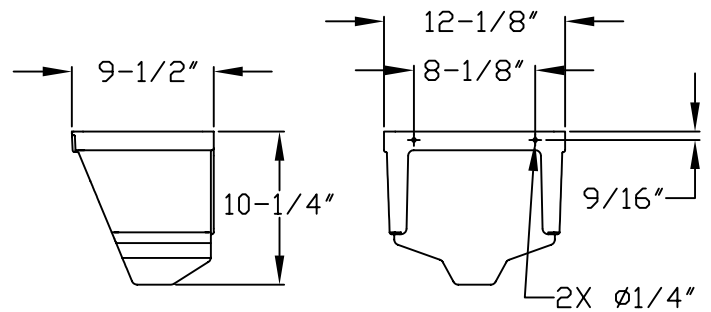
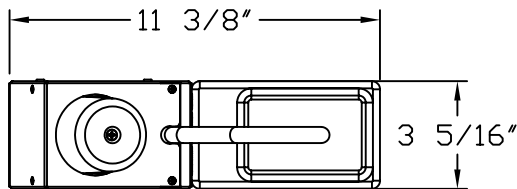
* ONE BAG-IN-BOX CONNECTOR INCLUDED PER PRODUCT.
(WUNDER-BAR 18mm CRYOVAC ADAPTER)

SYSTEM FEATURES:

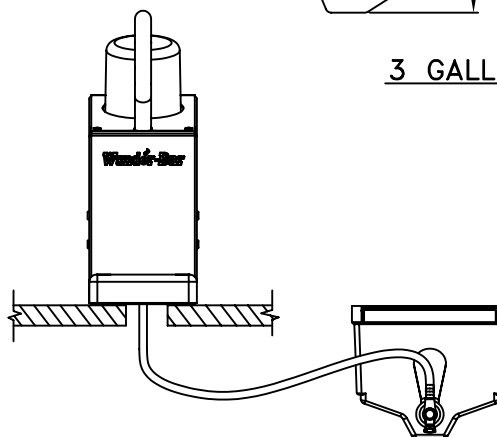
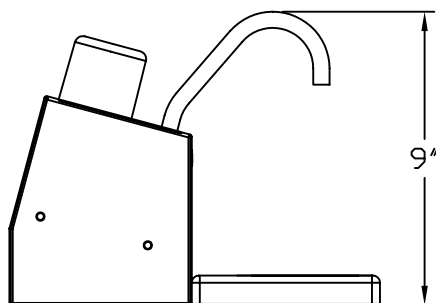
- IN PLACE CLEANABLE
- STAINLESS STEEL CONSTRUCTION
- 3 GALLON PRODUCT HOLDER BELOW COUNTER
- COMPACT TOWER WITH DRIP PAN
- NO ELECTRICITY OR PROPELLANT REQUIRED
- 3/4 OZ NOMINAL POUR SIZE PER FULL PUMP STROKE



MOUNTING DETAIL:



3 GALLON BAG HOLDER



0150248.DWG / 08-23-2004

Wunder - Bar

Dispensing Systems

AUTOMATIC BAR CONTROLS, INC.
790 EUBANKS DRIVE
VACAVILLE, CA 95688

PHONE: (707) 448-5151
FAX : (707) 448-1521