

MODEL: WB-CD-1-3-(X)\*-RCT

1 PRODUCT CONDIMENT REMOTE COUNTER TOP TOWER:  
WITH 3 GALLON BAG HOLDER

\* SEE SPECIFICATION NOTE FOR (X)

JOB:

ITEM#:



**PRODUCT SPECIFICATIONS:**

(X) TOWER FINISH: SS = STAINLESS STEEL  
 P = PAINTED \* = COLOR: R = RED  
 BL = BLACK G = GREEN  
 O = ORANGE Y = YELLOW  
 P = PURPLE B = BLUE  
 W = WHITE BR = BROWN

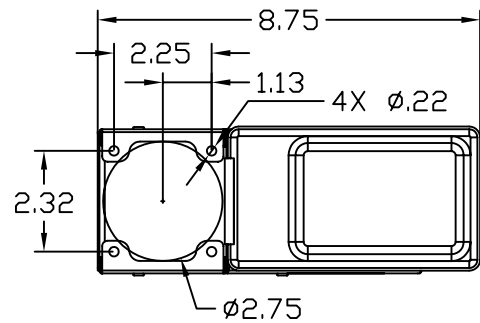
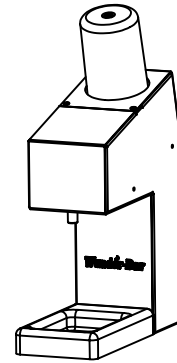
CAPACITY: ONE 3-GALLON BAG-IN-BOX  
 DIMENSIONS: 3-3/8" WIDE X 8-3/4" DEEP X 12-3/4" HIGH  
 WEIGHT: 10 LBS. (EMPTY)

\* ONE BAG-IN-BOX CONNECTOR INCLUDED PER PRODUCT.  
(PLEASE SPECIFY ONE TYPE WHEN ORDERING)

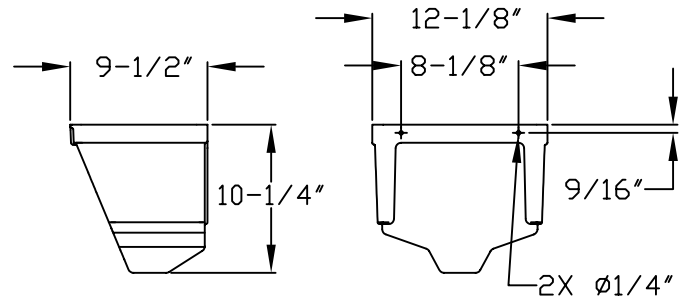
- CPC 95400 (FOR 38mm BIB)
- SCHOLLE 5M3 (FOR SCHOLLE PROBE BIB)
- SCHOLLE 7300-3 (FOR CLEANCLIC BIB)
- LIQUIBOX QCD-III (FOR QCD-III BIB)
- WUNDER-BAR 16mm CROVAC ADAPTER
- WUNDER-BAR 18mm CROVAC ADAPTER
- WUNDER-BAR SERIES 100 (FOR 38mm BIB)

**SYSTEM FEATURES:**

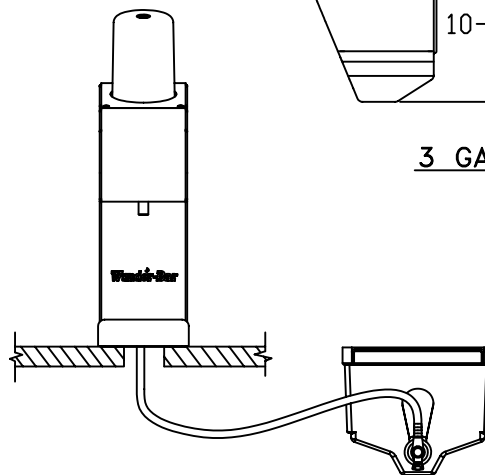
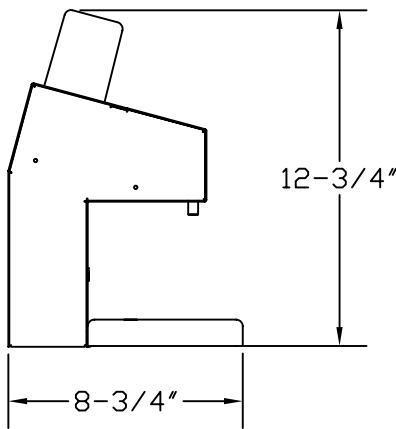
- IN PLACE CLEANABLE
- STAINLESS STEEL CONSTRUCTION
- 3 GALLON PRODUCT HOLDER BELOW COUNTER
- COMPACT TOWER WITH DRIP PAN
- NO ELECTRICITY OR PROPELLANT REQUIRED
- 3/4 OZ NOMINAL POUR SIZE PER FULL PUMP STROKE



**MOUNTING DETAIL:**



**3 GALLON BAG HOLDER**



0150244.DWG / 08-23-2004

**Wunder-Bar** Dispensing Systems

AUTOMATIC BAR CONTROLS, INC.  
 790 EUBANKS DRIVE  
 VACAVILLE, CA 95688

PHONE: (707) 448-5151  
 FAX : (707) 448-1521