

WB-BB-1000-*

JOB: _____ ITEM: _____

* 1 = One Pump, 2 = Two Pumps, 3 = Three Pumps, 4 = Four Pumps
1 HP GLYCOL LINE CHILLER

- REFRIGERATION: Air-Cooled:** 1 HP, R22 Condensing Unit
7800 BTU Output
- NOTE:** 12" clearance required on on sides for optimum air flow maintenance.
- ELECTRICAL: One Pump:** 208 Volt AC, 60 hZ, 1 phase, 11.9 Full Load Amps
Dedicated 20 Amp circuit is required
Maximum Fuse / HACR Breaker: 20 Amp
Includes six foot cord with NEMA 6-15P grounded plug.
- Two Pumps:** 208 Volt AC, 60 hZ, 1 phase, 14.2 Full Load Amps
Dedicated 25 Amp circuit is required
Maximum Fuse / HACR Breaker: 25 Amp
Includes six foot cord with NEMA 6-20P grounded plug
- Three Pumps:** 208 Volt AC, 60 hZ, 1 phase, 16.5 Full Load Amps
Dedicated 25 Amp circuit is required
Maximum Fuse / HACR Breaker: 25 Amp
Includes six foot cord with NEMA L6-30P grounded plug
- Four Pumps:** 208 Volt AC, 60 hZ, 1 phase, 18.8 Full Load Amps
Dedicated 30 Amp circuit is required
Maximum Fuse / HACR Breaker: 30 Amp
Includes six foot cord with NEMA L6-30P grounded plug



- RECIRCULATING PUMP:** 100 GPH, Brass Recirculation Duty
- RECIRCULATING MOTOR:** 1/3 hp (2.3 Amps each)
- DIMENSIONS:** Height: 29-1/2"
Width: 34-1/4"
Depth: 20-1/8"
- WEIGHT:** Shipping: 320#
Operating: 350#
- COOLANT CAPACITY:** 10 U.S. Gallons **
(5 gallons glycol plus 5 gallons water)
- MAXIMUM CONDUIT LENGTH:** 500'
- OPTIONS:** 6" Adjustable Legs (up to 7")
Additional Pump and Motor Kit



WB-BB-1000-1



Includes:
Six-foot long
cord with
NEMA 6-15P
grounded plug.

WB-BB-1000-2



Includes:
Six-foot long
cord with
NEMA 6-20P

WB-BB-1000-3

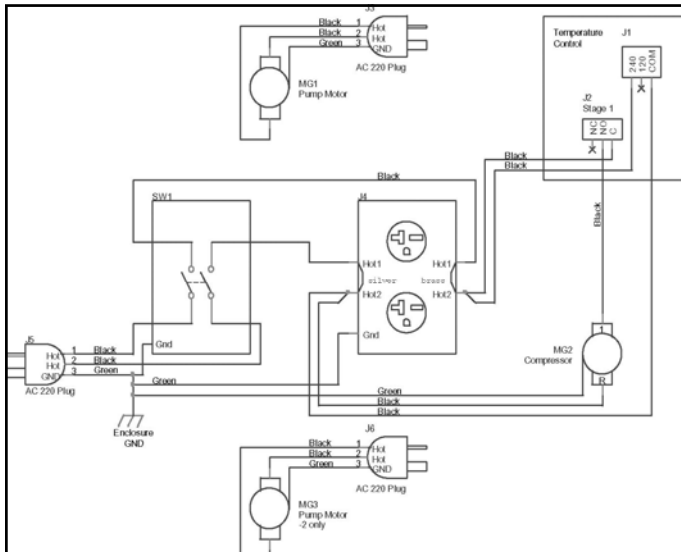
WB-BB-1000-4



Includes:
Six-foot long
cord with
NEMA L6-30P

** Add one gallon of coolant mixture (50% glycol plus 50% water) per 100 feet of Conduit

WB-BB-1000-1 and WB-BB-1000-2



WB-BB-1000-3 and WB-BB-1000-4

