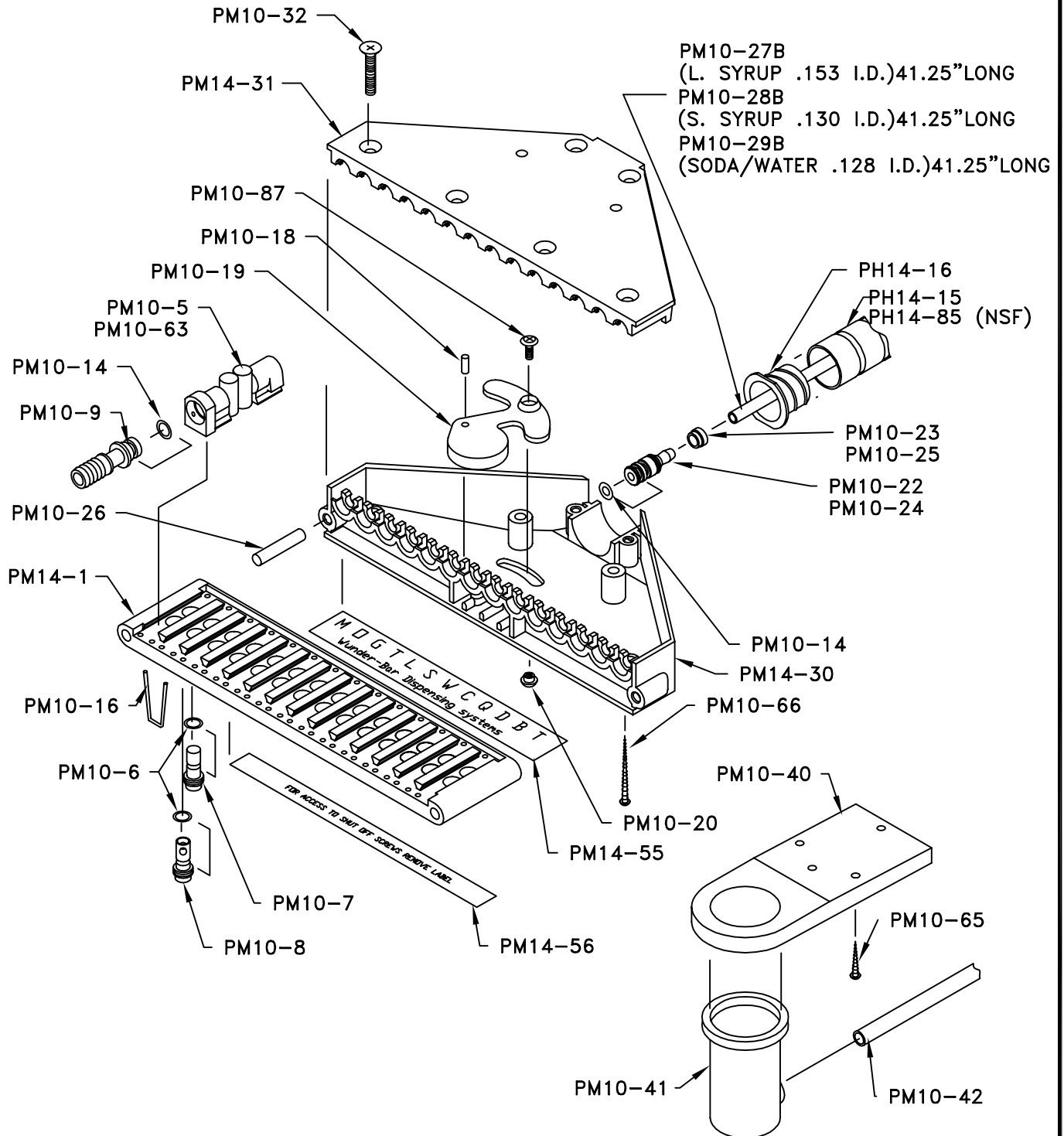


# 14 BUTTON POST MIX MANIFOLD (SII)

JOB:

ITEM#:



Z:\05\0550006A.DWG / 11-20-2006

**Wunder-Bar** Dispensing Systems

AUTOMATIC BAR CONTROLS, INC.  
790 EUBANKS DRIVE  
VACAVILLE, CA 95688

PHONE: (707) 448-5151  
FAX : (707) 448-1521