

Wunder - Bar

Food & Beverage
Dispensing Systems

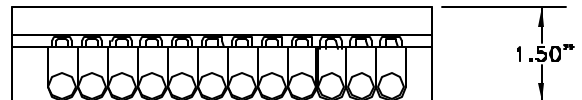
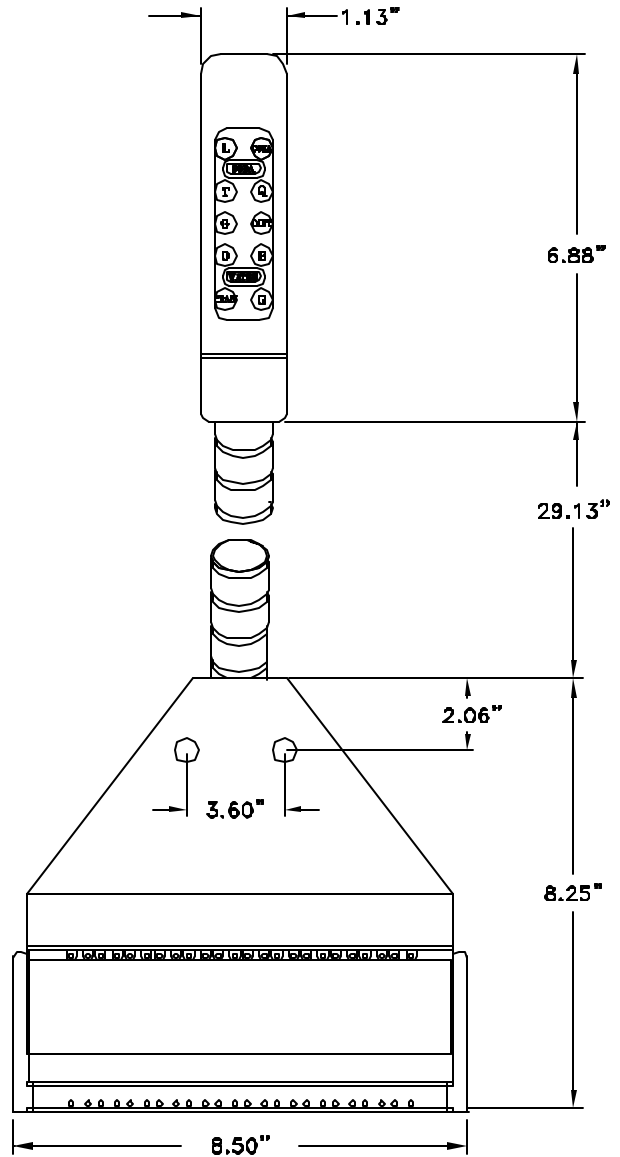
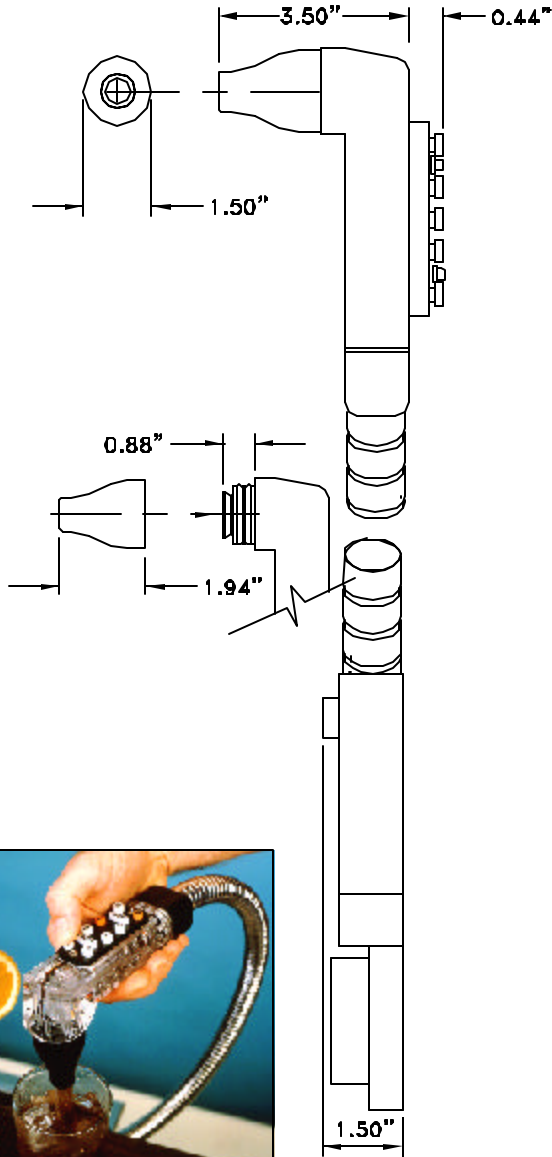
JOB:

ITEM#:

MODEL:

WBM-12640

12 BUTTON, STANDARD
DISPENSER



AUTOMATIC BAR CONTROLS, INC.
790 EUBANKS DRIVE
VACAVILLE, CA 95688

PHONE: (707) 448-5151
FAX : (707) 448-1521
WWW.WUNDERBAR.COM