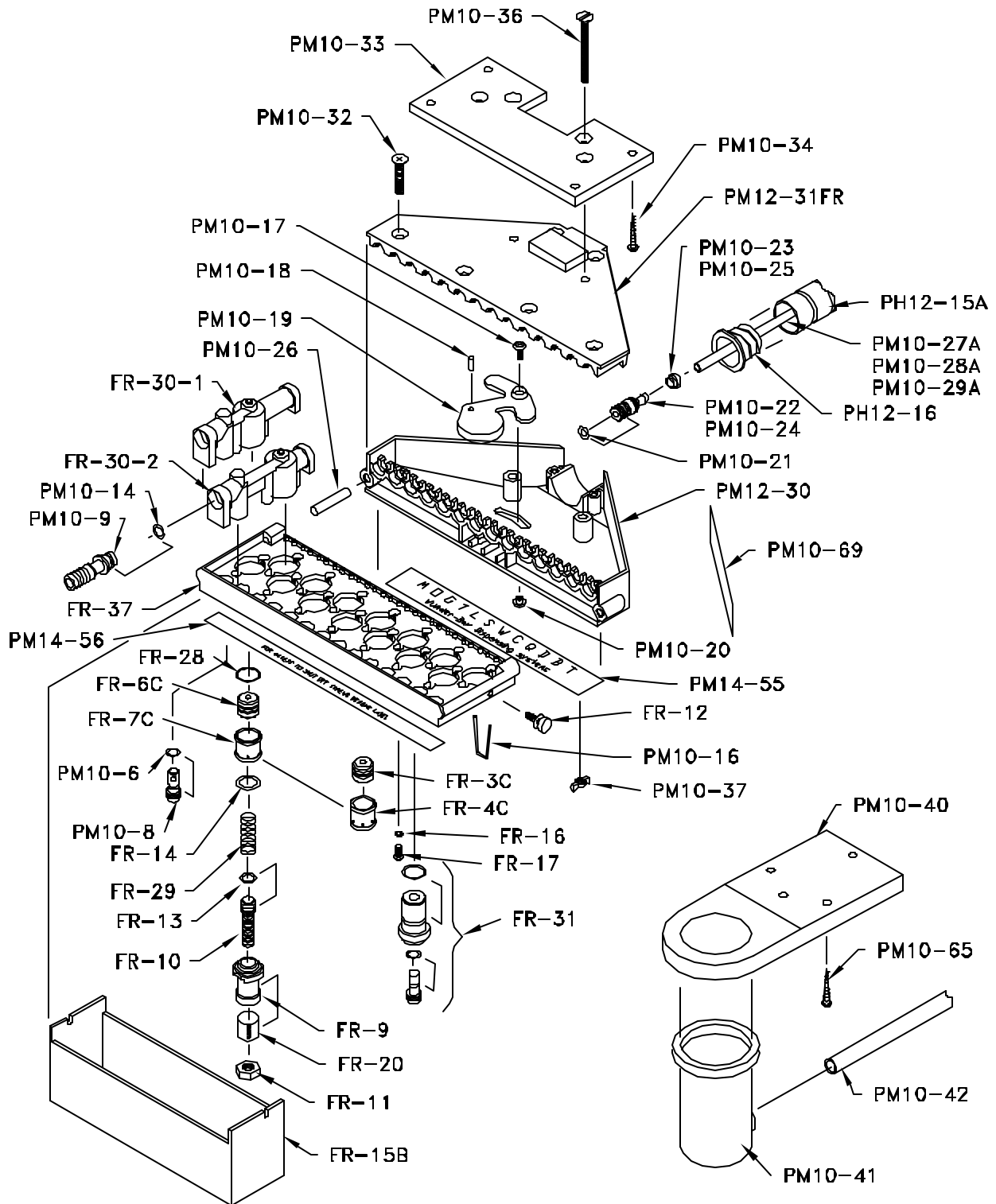


12/14 BUTTON POST MIX
MANIFOLD W/FLOW
CONTROL (SII & S2.5)

JOB:

ITEM#:



Z:\05\0550014.DWG / 04-13-1998 / 4:23:06 PM

Wunder - Bar Dispensing Systems

AUTOMATIC BAR CONTROLS, INC.
790 EUBANKS DRIVE
VACAVILLE, CA 95688

PHONE: (707) 448-5151
FAX : (707) 448-1521