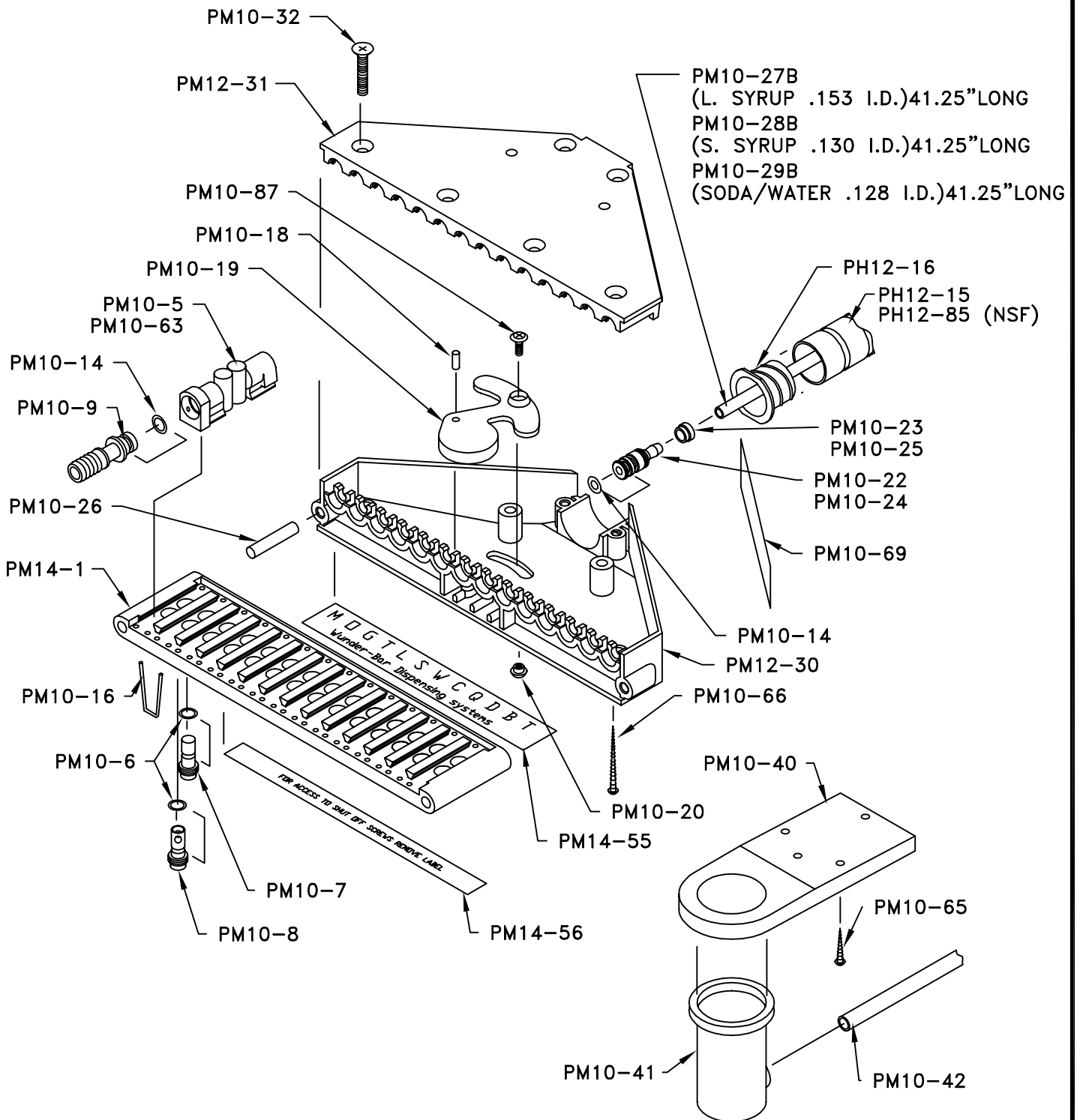


12 BUTTON POST MIX MANIFOLD (SII & S2.5)

JOB:

ITEM#:



Z:\05\0550004A.DWG / 11-20-2006

Wunder-Bar Dispensing Systems

AUTOMATIC BAR CONTROLS, INC.
790 EUBANKS DRIVE
VACAVILLE, CA 95688

PHONE: (707) 448-5151
FAX : (707) 448-1521