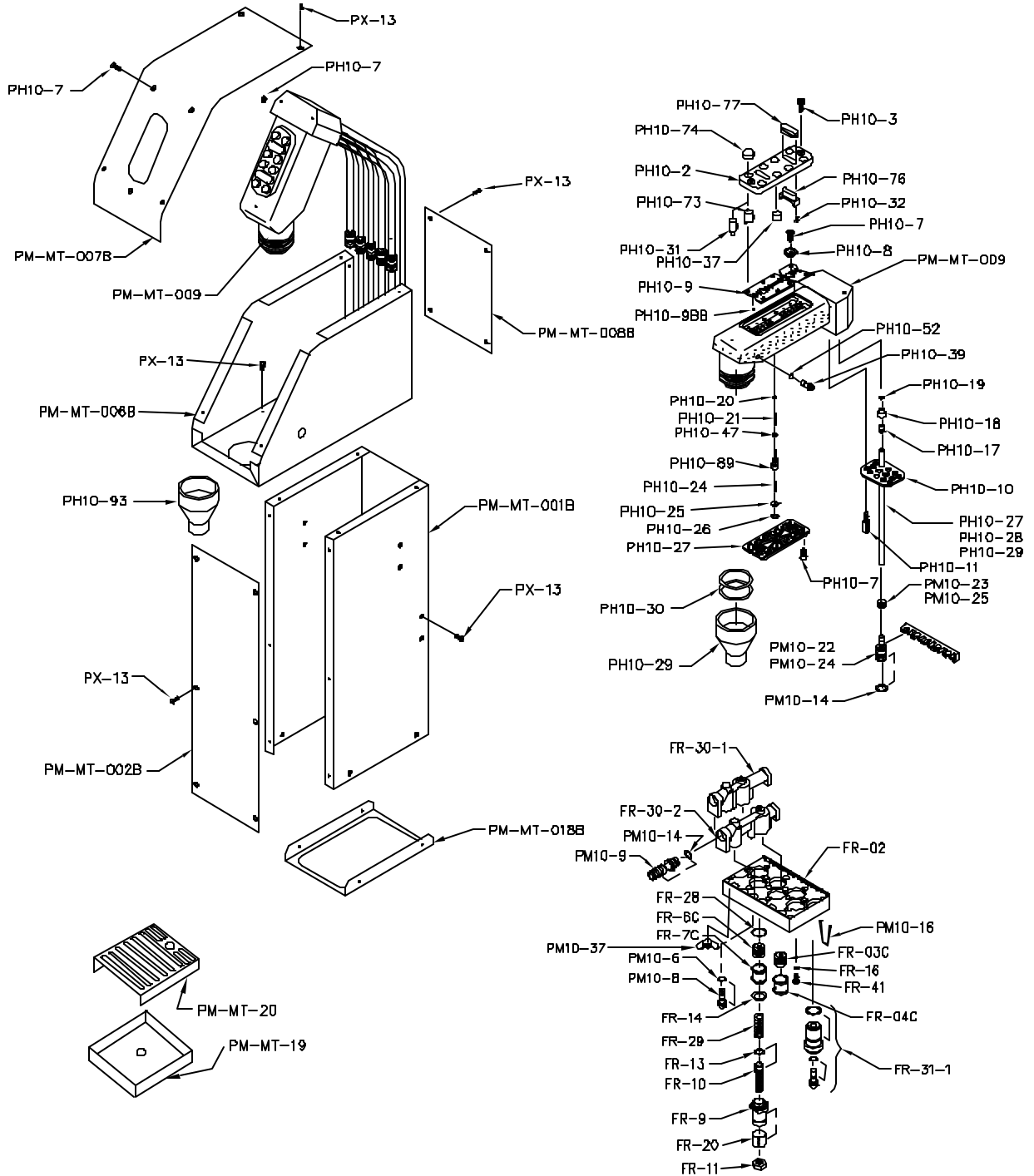


POST-MIX 10B MINI TOWER FLOW CONTROL ASSEMBLY

JOB:

ITEM#:



Z: \05\0550020A

Wunder - Bar Dispensing Systems

AUTOMATIC BAR CONTROLS, INC.
790 EUBANKS DRIVE
VACAVILLE, CA 95688

PHONE: (707) 448-5151
FAX : (707) 448-1521