



WB-BB-1500-*

JOB: _____ ITEM: _____

* 1 = One Pump, 2 = Two Pumps, 3 = Three Pumps, 4 = Four Pumps
1-1/2 HP GLYCOL LINE CHILLER

- REFRIGERATION: Air-Cooled:** 1-1/2 HP, R134a Condensing Unit
12,000 BTU Output
- NOTE:** 12" clearance required on on sides for optimum air flow maintenance.
- ELECTRICAL: One Pump:** 208 Volt AC, 60 hZ, 1 phase, 15.8 Full Load Amps. Dedicated 25 Amp circuit is required
Maximum Fuse / HACR Breaker: 25 Amp, Includes six foot cord with NEMA 6-20P grounded plug.
- Two Pumps:** 208 Volt AC, 60 hZ, 1 phase, 18.1 Full Load Amps. Dedicated 30 Amp circuit is required.
Maximum Fuse / HACR Breaker: 30 Amp Includes six foot cord with NEMA L6-30P grounded plug.
- Three Pumps:** 208 Volt AC, 60 hZ, 1 phase, 20.4 Full Load Amps. Dedicated 35 Amp circuit is required
Maximum. Fuse / HACR Breaker: 35 Amp Includes six foot cord with NEMA L6-30P grounded plug
- Four Pumps:** 208 Volt AC, 60 hZ, 1 phase, 22.7 Full Load Amps. Dedicated 35 Amp circuit is required.
Maximum. Fuse / HACR Breaker: 35 Amp. Includes six foot cord with NEMA L6-30P grounded plug.

- RECIRCULATING PUMP:** 100 GPH, Brass Recirculation Duty
- RECIRCULATING MOTOR:** 1/3 hp (2.3 Amps each)
- DIMENSIONS:** Height: 28-1/2"
Width: 34"
Depth: 20"
- WEIGHT:** Shipping: 350#
Operating: 370#
- COOLANT CAPACITY:** 10 U.S. Gallons **
(5 gallons glycol plus 5 gallons water)
- MAXIMUM CONDUIT LENGTH:** 1000'
- OPTIONS:** 6" Adjustable Legs (up to 7")
Additional Pump and Motor Kit

** Add one gallon of coolant mixture (50% glycol plus 50% water) per 100 feet of Conduit



WB-BB-1500-2
WB-BB-1500-3
WB-BB-1500-4

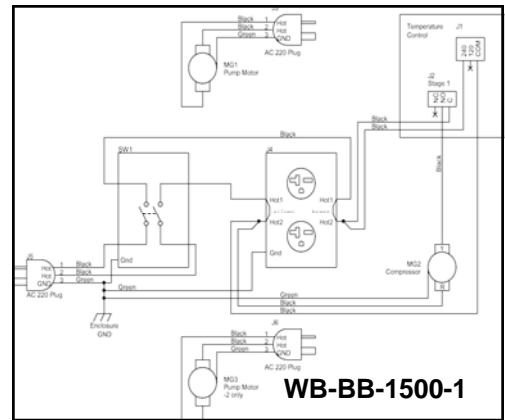
WB-BB-1500-1



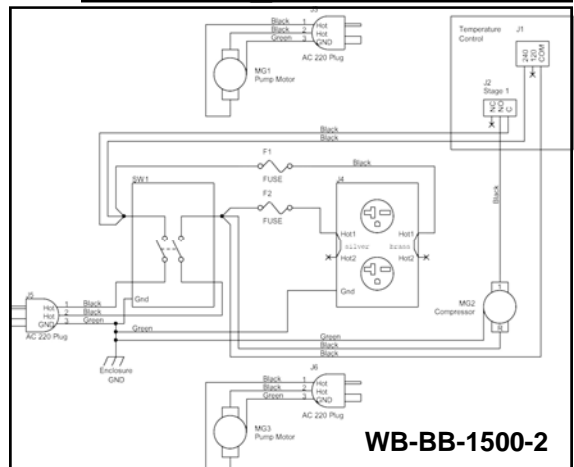
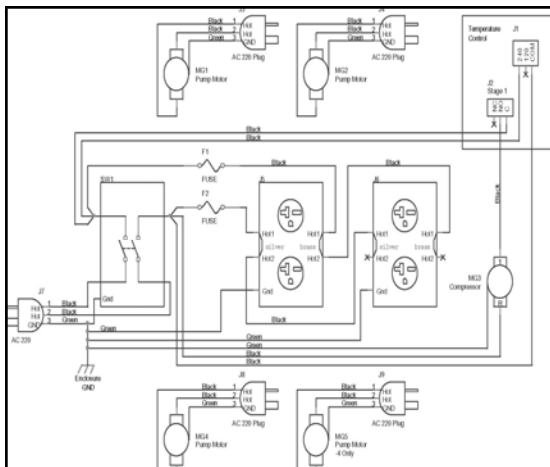
Includes:
Six-foot long
cord with
NEMA 6-20P
grounded plug



Includes:
Six-foot long
cord with
NEMA L6-30P
grounded plug



WB-BB-1500-3 and WB-BB-1500-4



BB1500 SPECS. pub

REV061108