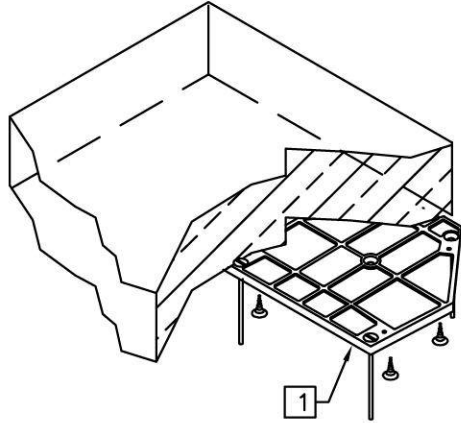


MARK 4 KWIK MOUNT, MOLDED

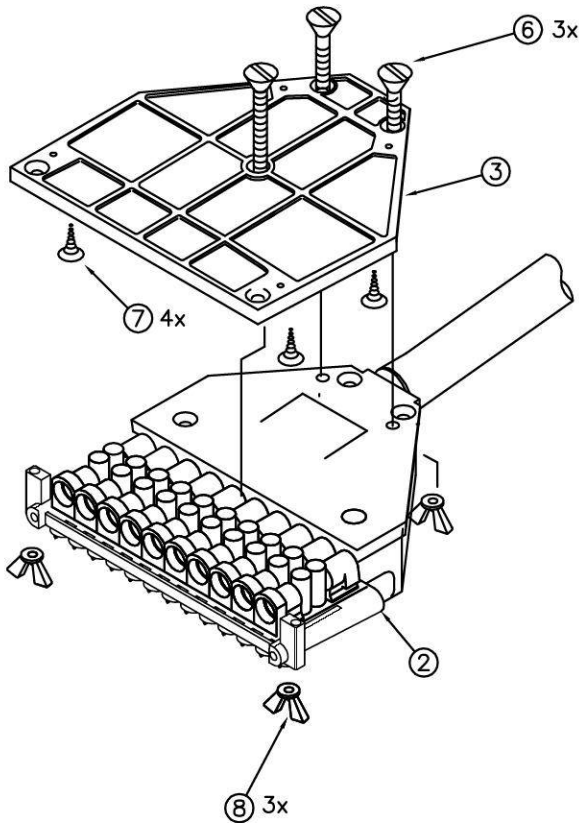
MOUNTING INSTRUCTION

DWG NO: 0560072	APPROVED/DATE:	REV: —
JOB:	ITEM #	

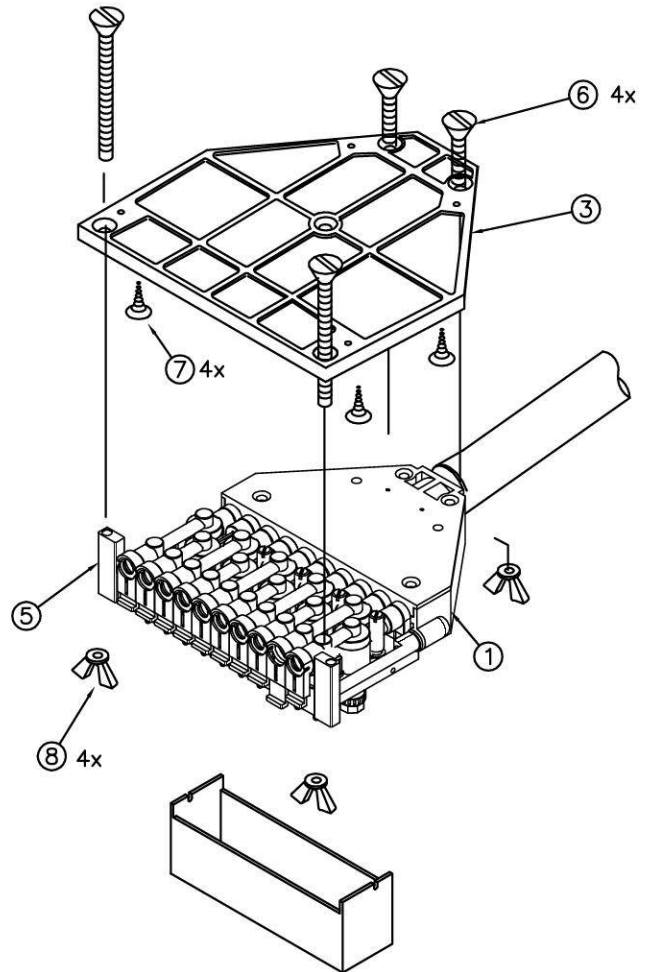


ATTENTION INSTALLERS!!!

1. INSTALL THE 2" LONG FLAT HEAD SCREWS (ITEM 6) INTO THE MOUNTING PLATE (ITEM 3) PRIOR TO SECURING PLATE TO CABINETRY – TIGHTEN SNUGLY!!
2. DRILL Ø1/16" PILOT HOLES FOR WOOD SCREWS (ITEM 7) USING TEMPLATE SHOWN (REVERSE SIDE OF THIS DOCUMENT)
3. SECURE MOUNTING PLATE TO CABINET



COLLECTORS
WITH STANDARD INPUT MODULES



COLLECTORS
WITH FLOW REGULATORS

0560072.DWG 1 OF 2 / 12-13-2010

Wunder-Bar

Dispensing Systems

AUTOMATIC BAR CONTROLS, INC.
790 EUBANKS DRIVE
VACAVILLE, CA 95688

WWW.WUNDERBAR.COM

TOLL FREE : (800) 722-6738
PHONE: (707) 448-5151
FAX : (707) 448-1521

USE THIS DRAWING AS A TEMPLATE
FOR DRILLING PILOT HOLES
SCALE 1:1

EDGE OF
COUNTERTOP

