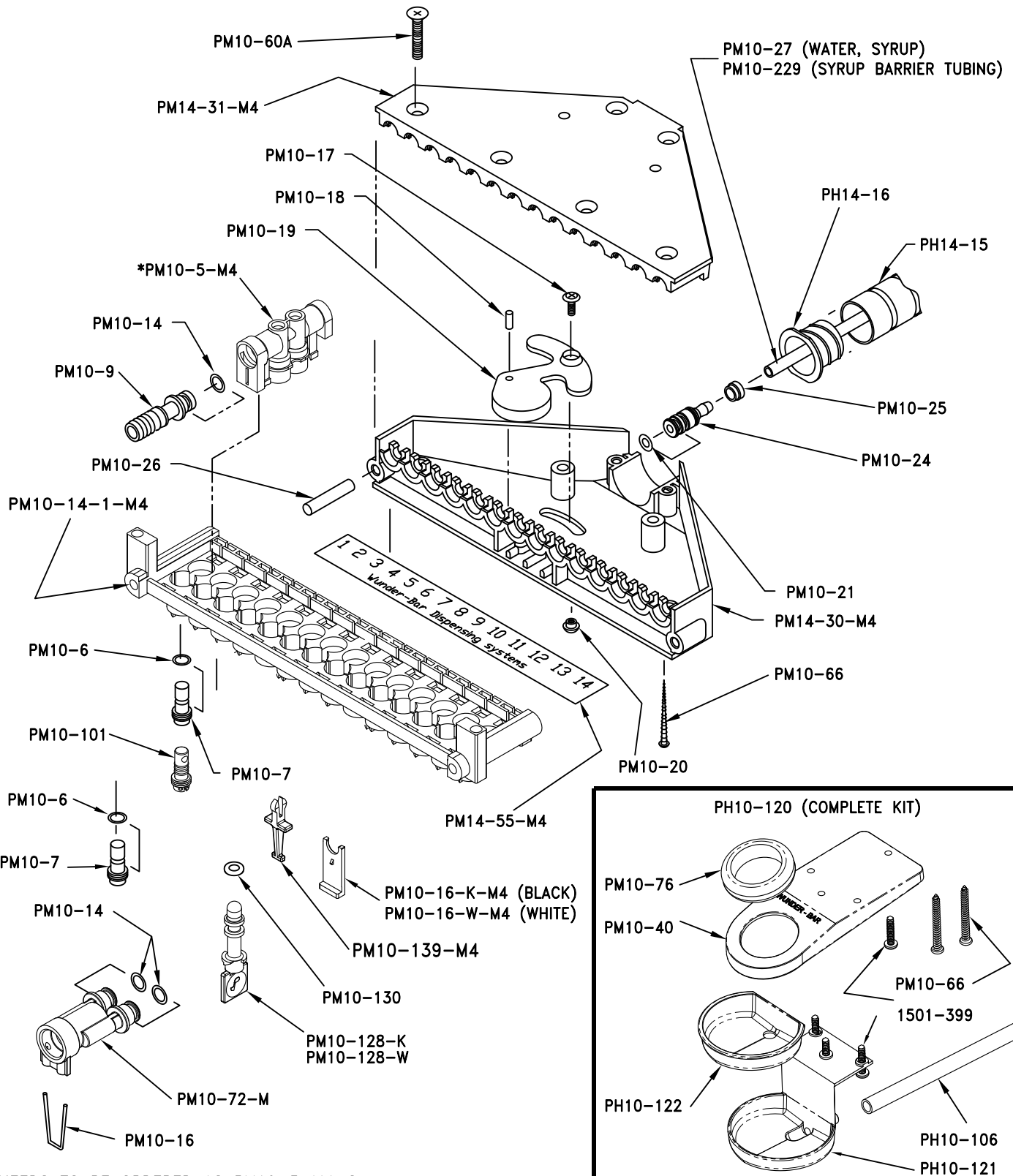


MARK 4 10-BUTTON JUICE MANIFOLD



*NEEDS TO BE ORDERED AS PM10-5-M4-C

0550084F.DWG / 28 JUL 2017

Wunder-Bar™

AUTOMATIC BAR CONTROLS, INC.
2060 CESSNA DR, SUITE 100
VACAVILLE, CA 95688

www.wunderbar.com

PHONE: (707) 448-5151
FAX : (707) 448-1521